



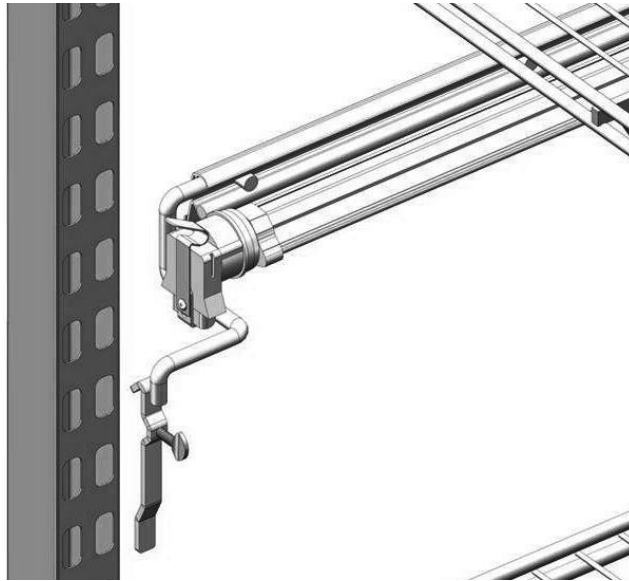
Wire Shelf LED Lights Installation Instructions



<p>TITLE: Wire Shelf LED Lights Installation Instructions</p>	<p>INSTRUCTION NO. 99-19668-I001</p>	<p>REV. A</p>
<p>PROPRIETARY INFORMATION: The information contained herein is proprietary to ANTHONY INTERNATIONAL and ARDCO HOLDINGS, any reproduction in whole or in part, disclosure, or use of this document is expressly prohibited.</p>	<p>This document was printed on 11/17/11 03:35 PM</p>	<p>PAGE 1 OF 6</p>

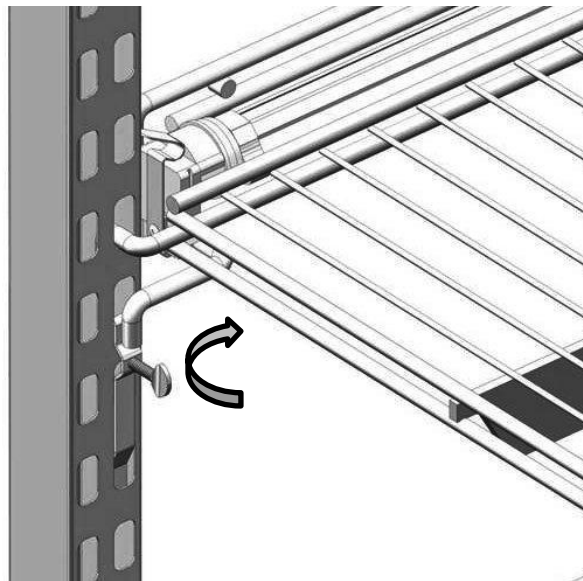
LED Bracket Assembly Installation

1. Attach LED/bracket assembly to post at the desired location.



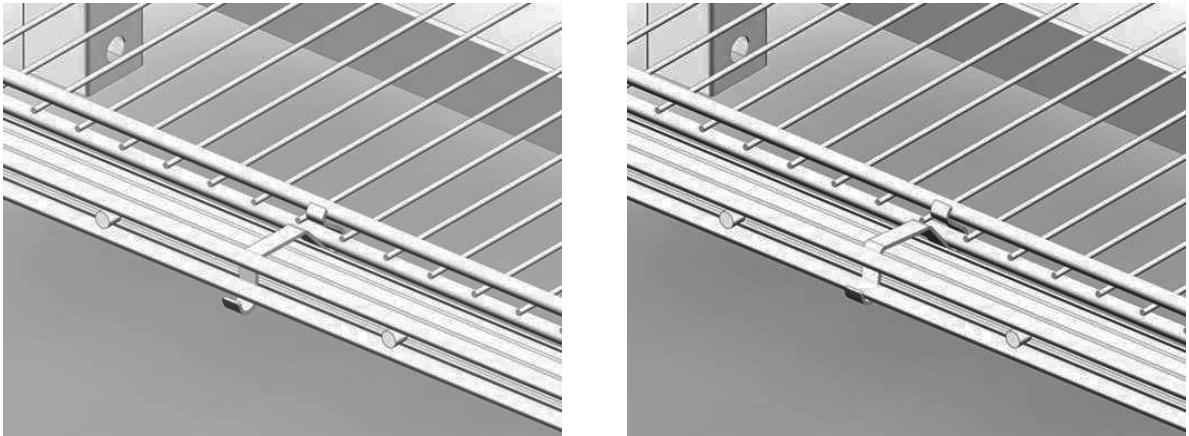
Attach LED/Bracket Assembly to Post

2. Turn thumb knobs clockwise to lock bracket in place at both ends and attach shelf to post right above LED/bracket assembly, as shown in the following illustration.



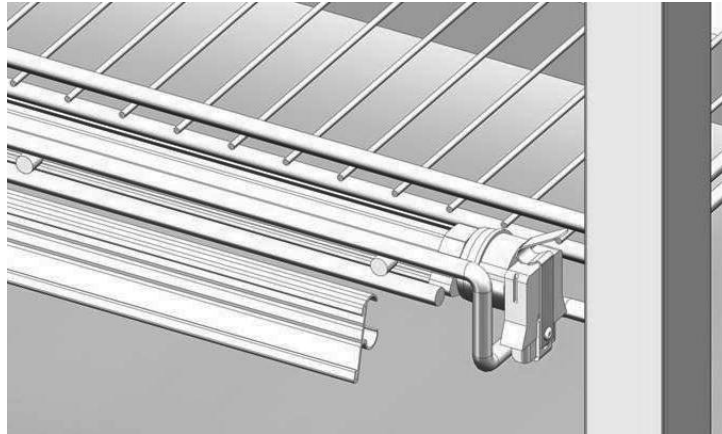
Lock Bracket and Attach Post

3. Install hooks approximately at the mid point of the shelf, starting on the shelf then snap the J-hook to the bottom rod of the bracket, creating a bridge between the shelf and LED bracket, as shown in the following illustration.



Install Hooks

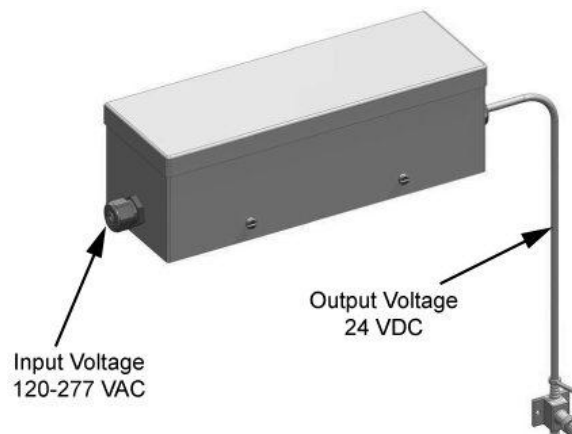
4. Attach price tag molding to the LED bracket, as shown in the following illustration.



Attach Price Tag Molding

Mounting the Driver Enclosure

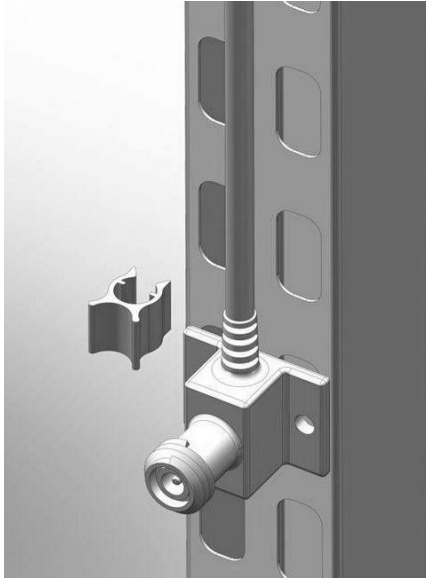
5. Mount the driver enclosure onto the case wall near the shelf post that will carry the harness.



Mount the Driver Enclosure

LED Harness Installation

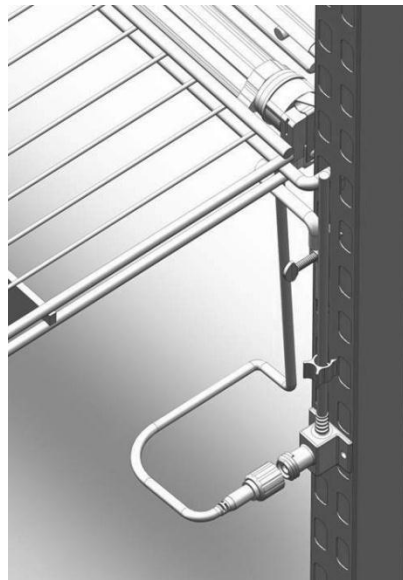
6. Attach the harness to the shelf post using retaining clips (supplied) as shown.



Install the LED Harness

LED Connection

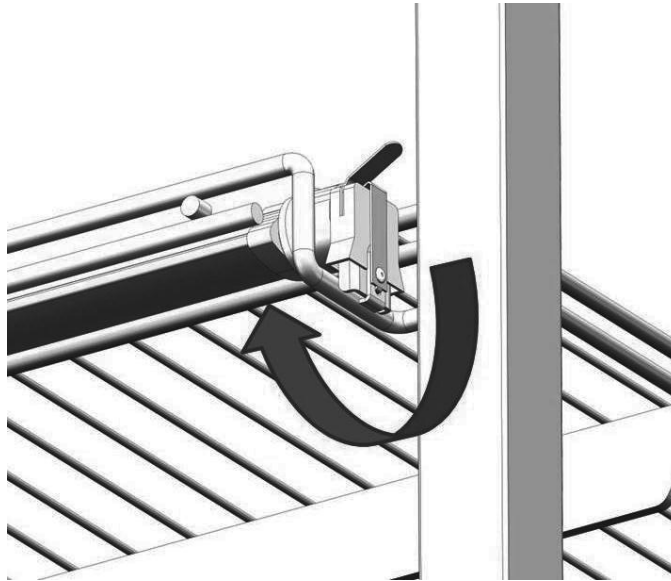
7. Connect the LED fixtures to the harness using the screw-on connectors from the LED cord (up to 6 shelves). Ensure that the LED cords are attached to shelf.



Connect the LED Fixture

Light Orientation Adjustment

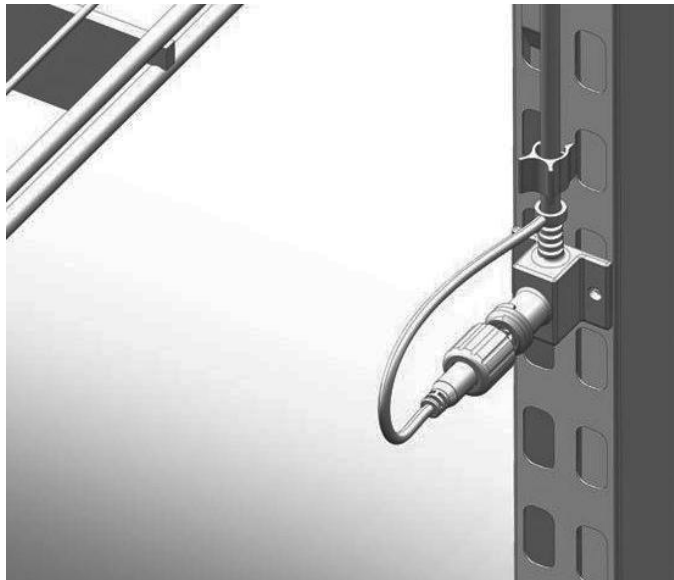
8. Rotate LED fixture as necessary for proper product illumination as shown in the following illustration.



Adjust the Light Orientation

Final Adjustments

9. Plug all unused receptacles with the screw-on dummy connectors, as shown in the following illustration.



Plug Unused Receptacles

REVISION HISTORY PAGE

REV	ORIGINATOR	DESCRIPTION OF CHANGE	EFFECTIVE DATE
A	S. Fisher	Prod Rel Per ECN 10820	10/18/11

TITLE:

Wire Shelf LED Lights Installation Instructions

REV.

A

Page 6 of 6