

Clearvoyant Undershef LED Installation Instructions



<p style="text-align: center;">TITLE: Under Shelf LED Installation Instructions</p>	<p style="text-align: center;">INSTRUCTION NO. 99-24427-I001</p>	<p style="text-align: center;">REV. A</p>
<p>PROPRIETARY INFORMATION: The information contained herein is proprietary to ANTHONY INTERNATIONAL and ARDCO HOLDINGS, any reproduction in whole or in part, disclosure, or use of this document is expressly prohibited.</p>	<p>This document was printed on 08/30/18 10:24 AM</p>	<p style="text-align: center;">PAGE 1 OF 8</p>

Table of Contents

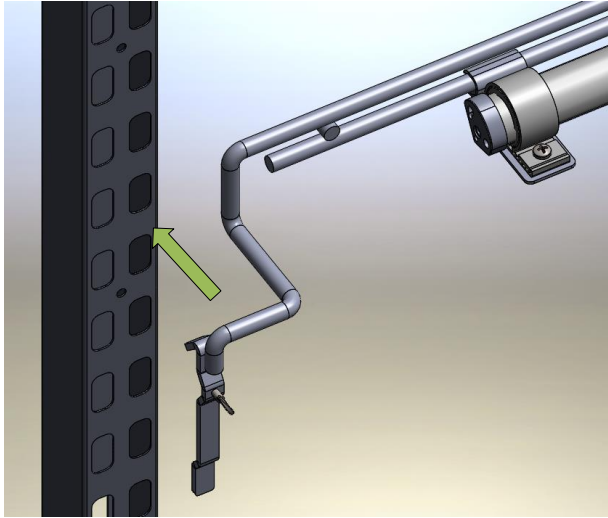
Bracket Assembly Installation.....3
Bracket hook and Price Tag Molding Installation.....4
Mounting the LED Power Supply Assembly.....5
Harness and LED fixture installation..... 6
Final Adjustments.....7



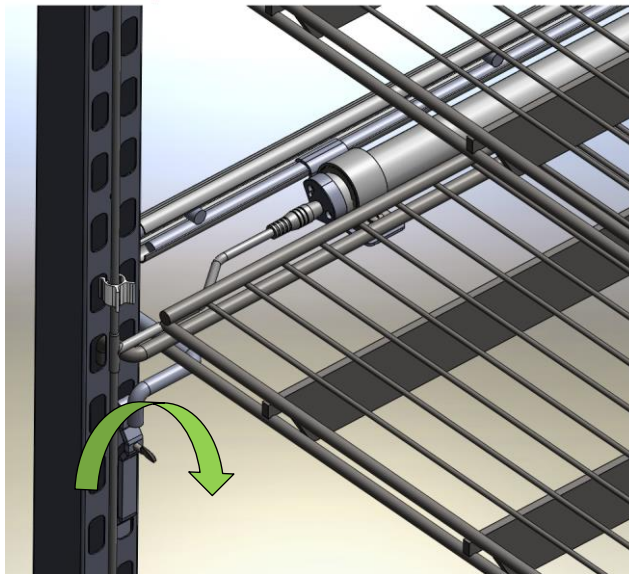
For use inside a commercial refrigeration case with packaged foods only.

LED Bracket Assembly Installation

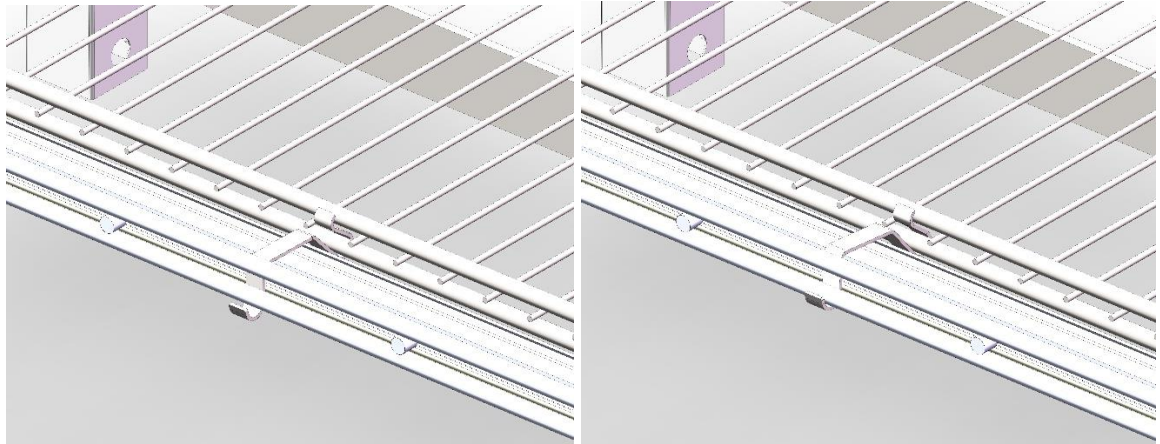
1. Attach LED/bracket assembly to post at the desired location.



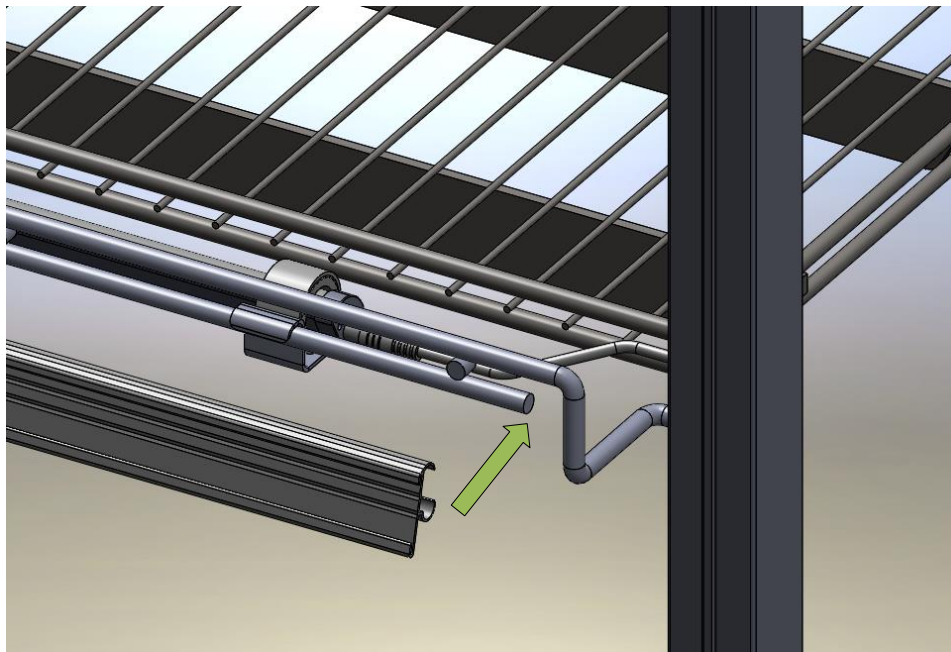
2. Turn thumb knobs clockwise to lock bracket in place at both ends and attach shelf to post right above LED/bracket assembly, as shown.



3. Install hooks approximately at the midpoint of the shelf, starting on the shelf then snap the J-hook to the bottom rod of the bracket, creating a bridge between the shelf and LED bracket, as shown in the following illustration.



4. Attach price tag molding to the LED bracket, as shown in the following illustration.



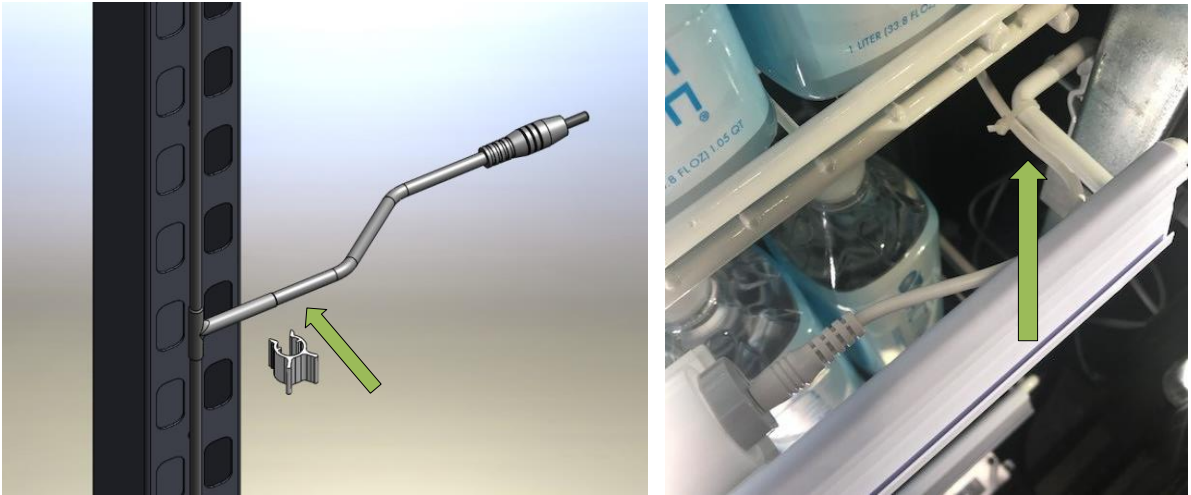
Mounting the Driver Enclosure

5. Mount the driver enclosure onto the case wall near the shelf post that will carry the harness.



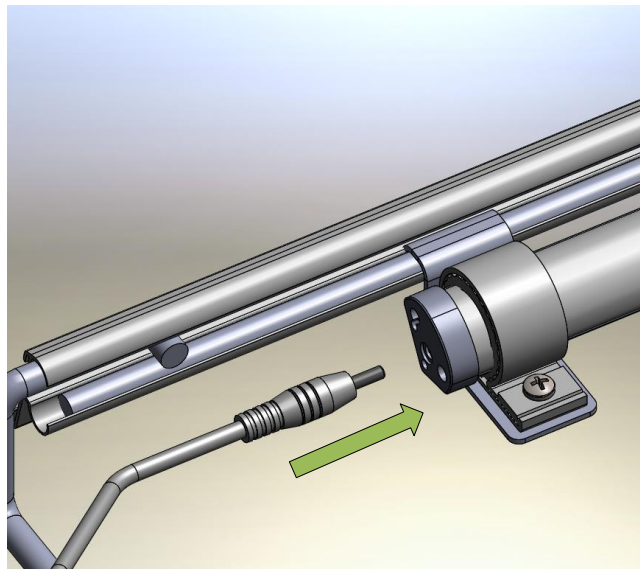
LED Harness Installation

6. Attach the harness to the shelf post using retaining clips (supplied) as shown.
 - 6.1 Tie the DC cord to LED bracket using wire ties as shown.



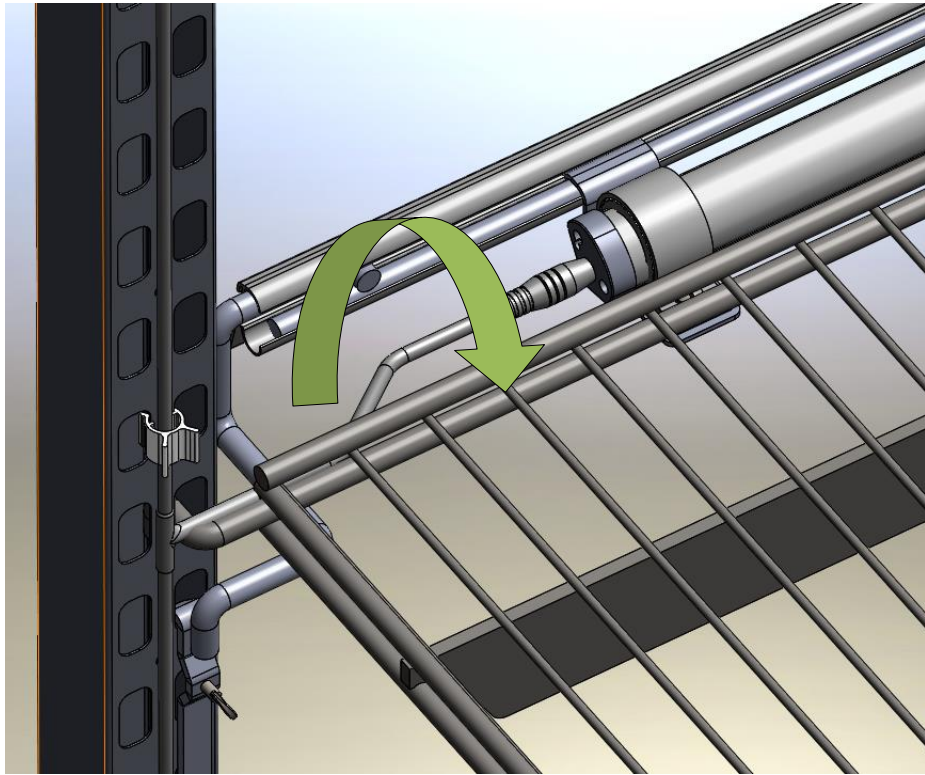
LED Connection

7. Connect harness to LED fixtures (up to 8 shelves) as shown.



Light Orientation Adjustment

8. Rotate LED fixture as necessary for proper product illumination as shown in the following illustration.



Final Adjustments

9. Cover all unused DC cord plugs with push-on caps (supplied).



REVISION HISTORY PAGE

REV	ORIGINATOR	DESCRIPTION OF CHANGE	EFFECTIVE DATE
A	FJ Carbajal	Initial release per ECN 16072	8-29-18