

Model 103 Installation Manual

99-18745-I001



Copyright © 2011 by

ALL rights reserved. Information in this document is subject to change without notice. Companies, names and data used in examples herein are fictitious unless otherwise noted. No part of this document may be reproduced or transmitted in any form or by any means, electronic or mechanical, for any purpose, without express permission of Anthony Manufacturing Co., Inc.

Anthony products identified in this manual are designed and certified to meet or ~~UL~~ for safety, and for sanitation standards.

European products meet ~~CE~~ requirements.

Each customer is responsible for final site approval.

TABLE OF CONTENTS

1. Preliminary Considerations for Door and Frame Servicing Procedures.....	4
1.1. Safety	4
1.2. Tools.....	4
1.3. Tips.....	4
2. Frame Installation and Service Maintenance.....	5
2.1. Shimming	5
2.2. Pass Thru Frame with Threshold Installation	6
2.3. Cut Threshold	7
2.4. Electrical Wiring.....	7
2.5. Frame Electrical Wiring Connections.....	8
3. Door Installation.....	9
3.1. Door Assembly Installation	9
3.2. Door Assembly Removal	10
3.3. Torquemaster and Sag Adjustment	12
4. Revision History Page	13

1. Preliminary Considerations for Door and Frame Servicing Procedures

1.1. Safety

Proper safety equipment includes:



Safety Glasses



Work Gloves



Work Shoes



NOTE: Turn off all electrical power prior to beginning work on the door or on any electrical equipment. Use extra caution when working with or around the door glass package.

NOTE: Do Not use power tools for the following procedures.

1.2. Tools

Tools required for this procedure include:

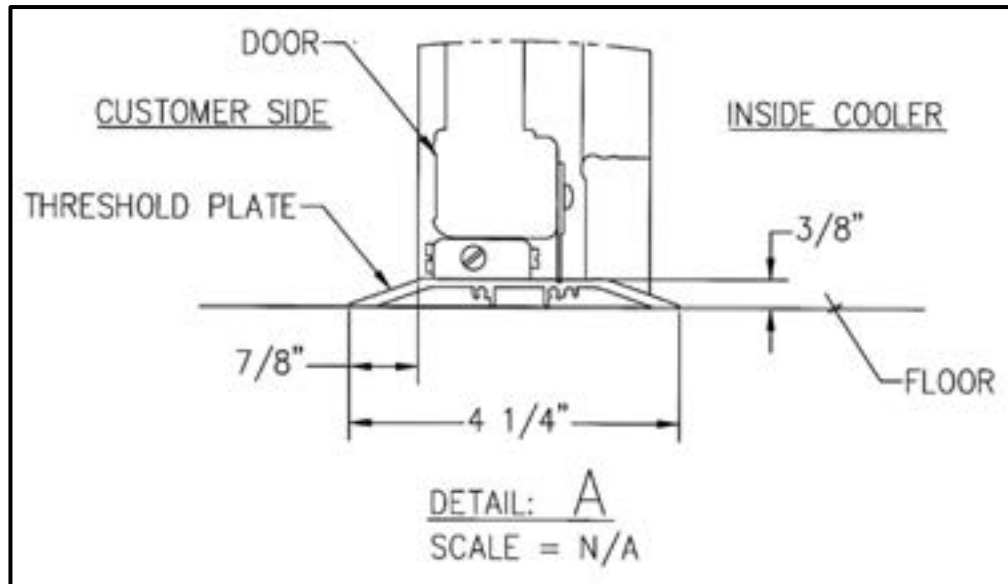
- #2 Phillips-head screwdriver
- Needle-nose pliers
- 7/16" and 1/2" Hand Wrench
- Wire stripper and cutter
- Flat-head screwdriver
- Rubber or plastic mallet
- 5/32" Hex Key
- Razor Knife

1.3. Tips

- Complete replacement of wire assemblies is recommended whenever required. Splice wires only if necessary, using proper materials: such as electrical tape, wire nuts, flux core solder and heat shrink.
- Keep doors and frames clean for product efficiency. This can also help reduce energy consumption and potential health hazards.
- Whenever binding gasket or plastic parts, use food grade silicone.
- Always use the correct tool for the job to be performed. This ensures proper installation and minimizes safety risks.
- If there is any doubt about the work to be performed, consult with a certified technician or Anthony representative.
- Preventative maintenance is recommended to ensure product longevity.

2. Frame Installation and Service Maintenance

Note: A flat level floor is required. Refer to “Anthony Door and Frame Cross-Section” figure.



Anthony Door and Frame Cross-Section

1. Read instructions completely before installing the frame.
2. Before installing the frame, confirm that the size of the net opening accommodates the finished or shimmed frame.

2.1. Shimming

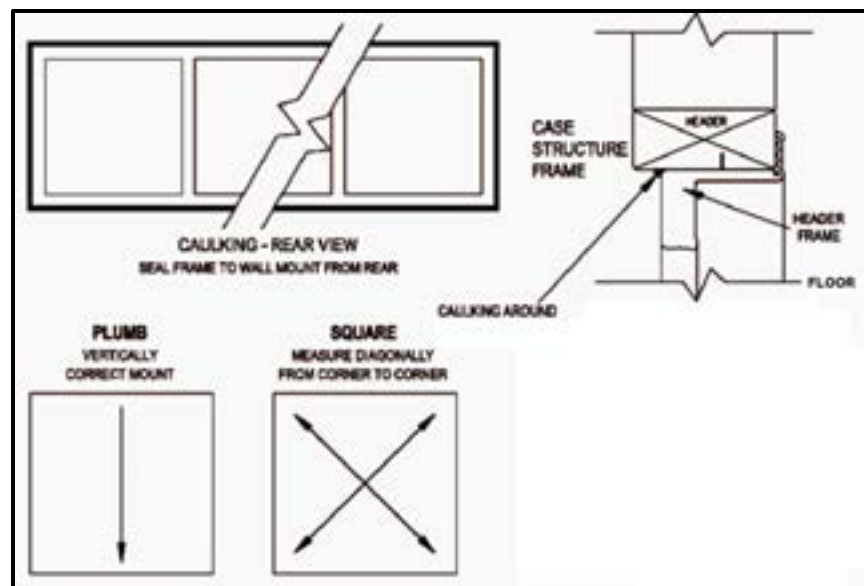
1. If the gap between the frame and the net opening is greater than 1/16", shim the gap for a proper fit.
2. Acquire sturdy, penetrable material, such as plywood. The thickness of the material should be wedge shaped or slightly less than the gap to be filled.
3. Measure the gap length (height or width of frame) and cut the shim material to 1/16" less than the measured length.
 - a. Place threshold on ground and shim top.
 - b. Shim sides.
4. Install the shim using the same type of mounting hardware that will be used to install the frame. Be certain that the shim installation hardware will not interfere with the frame installation hardware.
5. If necessary, cut a second shim to the same length and install it in the opposite side of the net opening.
6. If the adjacent sides of the net opening need shimming, repeat the previous steps. Match the shim length to the frame sides of the net opening (less 1/16").

2.2. Pass Thru Frame with Threshold Installation

Note: If a Roll-A-Way cart is included in the order, it must be behind the door before installing the frame.

Note: Standard Roll-A-Way Application-Roll-A-Way is a permanent fixture of case.

1. Insert the finished frame assembly into the net opening. DO NOT force the frame if the fit is too tight.
2. Insert a mounting screw into a mounting hole in each corner of the frame and tighten each screw until it is approximately a quarter inch from flush.
3. Check the frame is aligned properly or square. Refer to “Frame Installation Reference”.



Frame Installation Reference

- Use a measuring tape to measure diagonally one corner to the opposite and note the distance.
 - Measure the distance between the remaining two corners.
 - Both measurements should be the same, within a 1/16” difference.
4. Confirm the frame and frame flanges are vertically aligned to the wall surface around the net opening.
 5. Place a level on the top flange of the header frame to check if it is horizontally aligned.
 6. If the top of the header frame sags or bows, correct as necessary.
 7. When the frame is aligned, tighten all mounting screws securely until each is flush to the frame surface.

Note: DO NOT over-tighten the screws, as this can cause the frame to become out of square.

8. Check entire frame to ensure installation is correct.
9. When the threshold is desired, drill and lag on pre-drilled mounting holes only. Refer to “Pre-drilled With Threshold” figure.



Pre-Drilled with Threshold

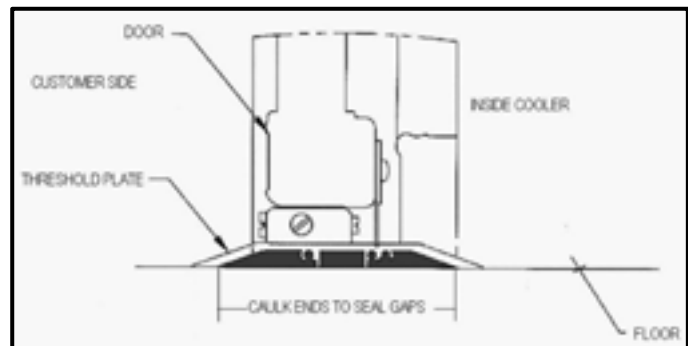
Note: Use caulk and food grade silicone sealant to seal the gap between the frame and the surrounding wall, inside case, cooler or freezer.

2.3. Cut Threshold

1. Verify that the cut threshold is square and plumb to the rest of the frame before drilling through pre-drilled mounting holes. Refer to “Without Threshold” figure.



Without Threshold



Caulking Area

2.4. Electrical Wiring

The seven individual wires extending from the flexible conduit atop the frame, provide electrical power to various frame and door functions. Refer to “Wire Diagram Connection Label” figure, “Wiring Diagram” figure, “With Threshold” figure and “Without Threshold” figure.

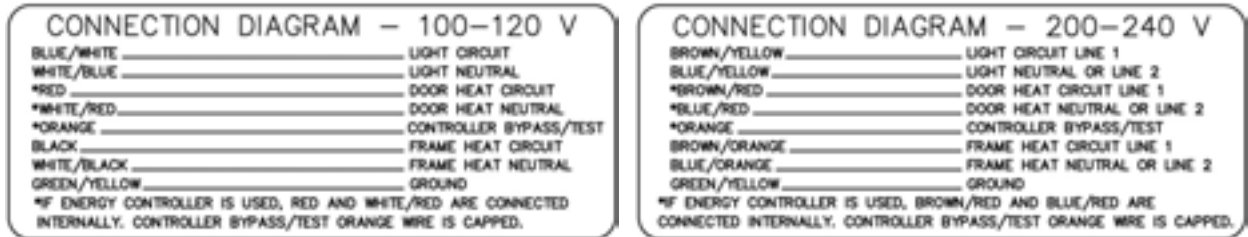
Using wire connectors, these wires should be grouped by the Hot wires (Circuit wires), the Neutral wires and the ground wire for connection to either the facility or the case power.

- Blue/White wire connects to the supplied Hot (or Lights Circuit Wire).
- White/Blue wire connects to the supplied Light neutral wire.

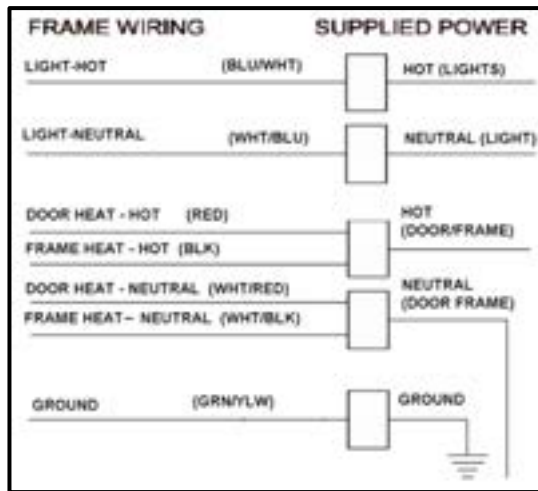
- Red and Black wires connect to the supplied Hot (or Door (red) /Frame (black) Heater Circuit Wire).
- White/Red and White/Black wires connect to the supplied neutral wire for Door/Frame Circuit.
- Green/Yellow wire connects to the supplied ground wire.

Note: Wiring for lights should have a separate circuit from the door/frame heater wiring circuit.

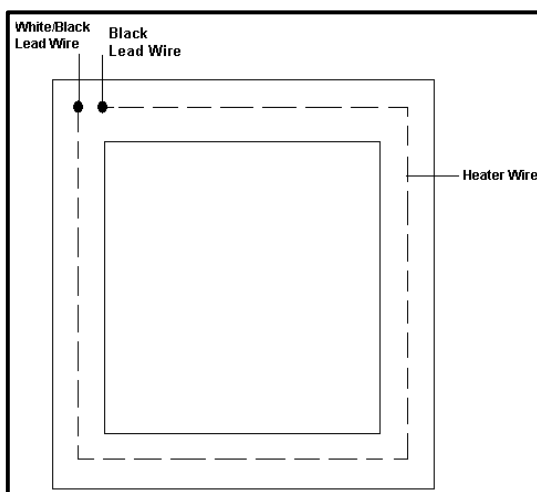
2.5. Frame Electrical Wiring Connections



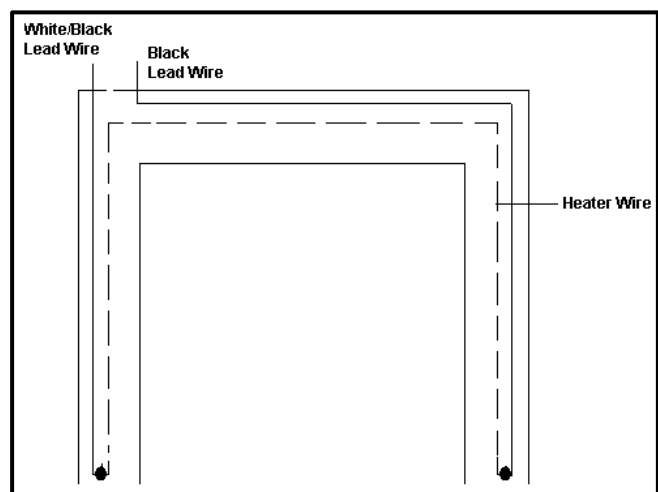
Wire Diagram Connection Label



Wiring Diagram



With Threshold



Without Threshold

3. Door Installation

3.1. Door Assembly Installation

1. Hold the door on each side, with the handle facing forward. Lift the door and align the torque rod to insert into the TorqueMaster socket at the base of the frame.



Insert Torque Rod

2. Engage the door with the hinge pin inserted into the Gib (hinge pin plug) receptacle at the top of the frame. Push the door into the frame until the hinge pin snaps into place.



Connect Hinge Pin

3. Insert the hold-open bolt through the elongated hold-open slot.

4. Insert the washer and the hold-open bolt into the frame mounting hole and tighten the bolt, use a 7/16" open-ended hand wrench.



Tighten Hold-Open Bolt

5. Set the door tension swing and correct the door alignment by adjusting the TorqueMaster. (See Torquemaster and Sag Adjustment and refer to Torquemaster Assembly figure).

For installation of the door and hold-open, use the previous reversible cordless door and hold open installation. With the door in the closed position:

1. Adjust the floor wiper seal to fit flush with the floor and/or slab.
2. Trim the excess around the TorqueMaster to prevent binding.
3. Turn screws clockwise to tighten and counter-clockwise to loosen.

Note: Exercise caution when handling the door.

Note: DO NOT use power tools when adjusting the TorqueMaster.

Note: DO NOT over tighten the hold-open bolt. Verify that the hold-open does not bind while sliding along the hold-open bolt. Adjust as necessary.

3.2. Door Assembly Removal

1. Release tension on the TorqueMaster with a flat-head screwdriver. Turn the TorqueMaster front facing screw clockwise, until the door does not automatically close from an open position.



Release TorqueMaster Tension

- Open the door to access the hold open device, then loosen and remove the hold-open detent bolt using a 7/16" hand wrench.

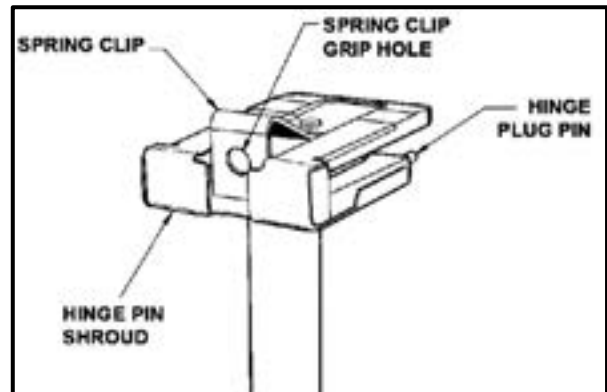


Remove Hold-Open Bolt

- Retract the door to a near-closed position.
- Remove hinge pin plug from frame by inserting top-half of needle-nose pliers into the spring clip grip hole and the bottom half beneath the hinge pin shroud.



Disengage Hinge Pin



Hinge Pin Assembly

- Compress pliers to clamp down on the hinge pin spring clip, then simultaneously pull the hinge pin away from the frame and pull the door top out.



Withdraw Away From Hinge Gib

6. Lift the door out of the TorqueMaster. Secure or lean the door on its side against a stable surface.



Withdraw From Frame

3.3. Torquemaster and Sag Adjustment

The TorqueMaster regulates the door alignment and the door closing tension.



Torquemaster Assembly

1. Use a flathead screwdriver to adjust the torque rod tension, by turning the outside screw on the TorqueMaster.
 - Turn counter-clockwise to increase tension.
 - Turn clockwise to decrease the tension.
2. Adjust the door sag to square the door in the frame by turning the screw that is marked SAG ADJ. (sag adjustment), on the end of the TorqueMaster, until the door is aligned square in opening.
 - Turn counter-clockwise to raise the handle side of the door.
 - Turn clockwise to lower the handle side of the door.

Note: DO NOT use power tools when adjusting the TorqueMaster.

4. Revision History Page

REV	ORIGINATOR	DESCRIPTION OF CHANGE	EFFECTIVE DATE
A	SWatstein	Initial Release	01/25/2011
B	S. Fisher	Reformat from PDF to Word	04/03/2013