

**Canopy and Solid Shelf
LED Lights
Installation Instructions**

99-19796-I001



Copyright © 2011 by

ALL rights reserved. Information in this document is subject to change without notice. Companies, names and data used in examples herein are fictitious unless otherwise noted. No part of this document may be reproduced or transmitted in any form or by any means, electronic or mechanical, for any purpose, without express permission of Anthony Manufacturing Co., Inc.




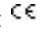
Anthony products identified in this manual are designed and certified to meet  or  for safety, and  for sanitation standards. European products meet  requirements. Each customer is responsible for final site approval.

Table of Contents

- 1. Preliminary Considerations for Optimax Pro LED Installation 4
 - 1.1. Safety and Warnings..... 4
- 2. Canopy Lights Installation 5
 - 2.1. Anthony Canopy Fixture Parts 5
 - 2.2. Recommended Quantities 5
 - 2.2.1. 8' Case Retrofit 12' Case Retrofit 5
 - 2.3. Procedure 5
- 3. Solid Shelf LED Lights Installation 8
 - 3.1. Anthony Solid Shelf Fixture Parts 8
 - 3.2. Procedure 8
- 4. Revision History Page..... 11

1. Preliminary Considerations for Optimax Pro LED Installation

1.1. Safety and Warnings



WARNING – Risk of electric shock. Always disconnect power before servicing or installing product(s).



WARNING – Risk of fire or electric shock. Luminaire wiring and electrical parts may be damaged when drilling for installation of LED Retrofit kit. Check for enclosed wiring and components.



WARNING – Risk of fire or electric shock. Install this kit only on the luminaires that have the construction features and dimensions shown in the photographs and/or drawings.



WARNING – To prevent wiring damage or abrasion, do not expose wiring to edges of sheet metal or other sharp objects.



CAUTION! RISK OF INJURY! – Appropriate safety equipment must be worn while servicing or installing product(s)..

Note: Only those open holes indicated in the photographs and/or drawings may be made or altered as a result of kit installation. Do not leave any other open holes in an enclosure of wiring or electrical components.

Note: Do not make or alter any open holes in an enclosure of wiring or electrical components during kit installation.

Note: Inspect all equipment before removal of existing light fixture and installation of LED Retrofit kit. Note any concerns and inform appropriate personnel.

2. Canopy Lights Installation

2.1. Anthony Canopy Fixture Parts

	<u>Part #</u>	<u>CCT</u>	<u>Power</u>
• LED Canopy fixture	60-19795-0001	4100K	23W
	60-19795-0002	3500K	23W
	60-19795-0003	3000K	23W
• 24V power supply	60-16387-0001		
• Bushing	60-11032-0005		

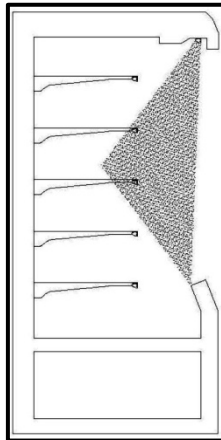
2.2. Recommended Quantities

2.2.1. 8' Case Retrofit

Shelf Lights	10
Canopy Lights	2
Tension Wire Clips	60
Drivers	3
Harnesses	2

12' Case Retrofit

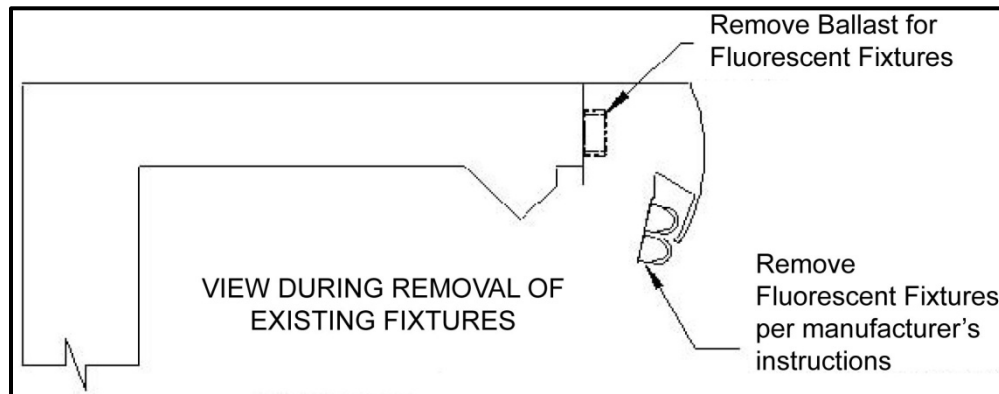
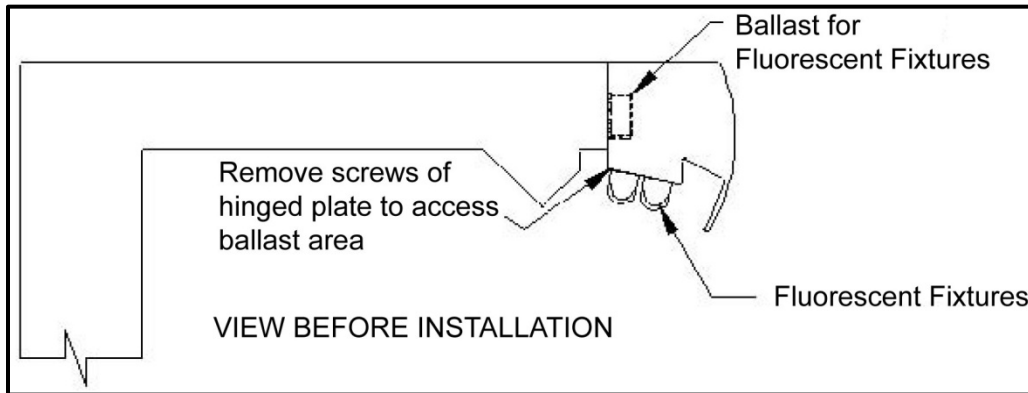
Shelf Lights	15
Canopy Lights	2
Tension Wire Clips	60
Drivers	3
Harnesses	2



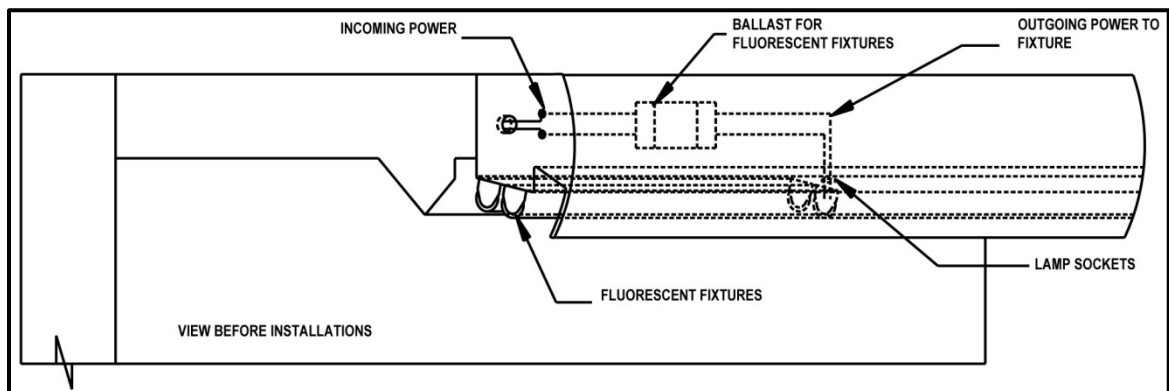
2.3. Procedure

1. Shut off and lock out/tag out lighting power to the case.
2. Check lighting power at the case using a voltmeter. Power reading should be 0 volts.
3. Remove the existing lamp lens, lamp sockets and wire using the manufacturer's instructions. Note that the existing wire cannot be used.

4. Remove the screws that hold the hinged cover in place to allow access to the ballasts. The cover will rotate and hang in the case.
 - a. Cut the black and white power input leads to all ballasts.
 - b. Cut the red and blue output leads from all ballasts.
 - c. Unscrew the ballast mounting screws and remove all ballasts.

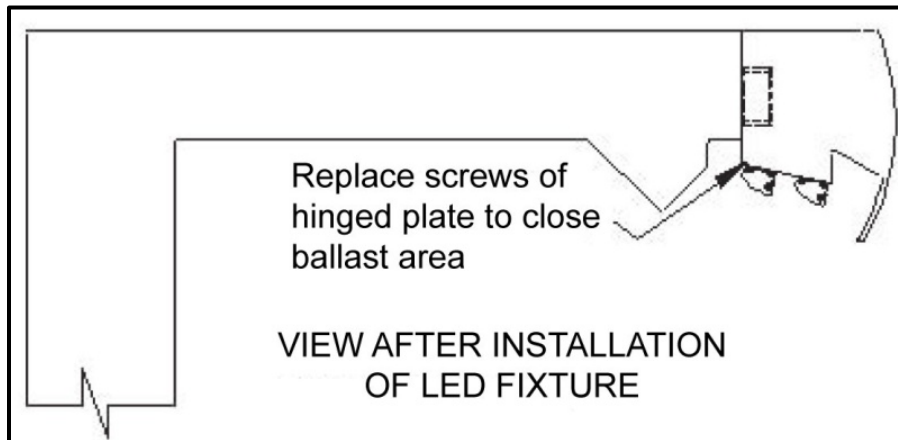
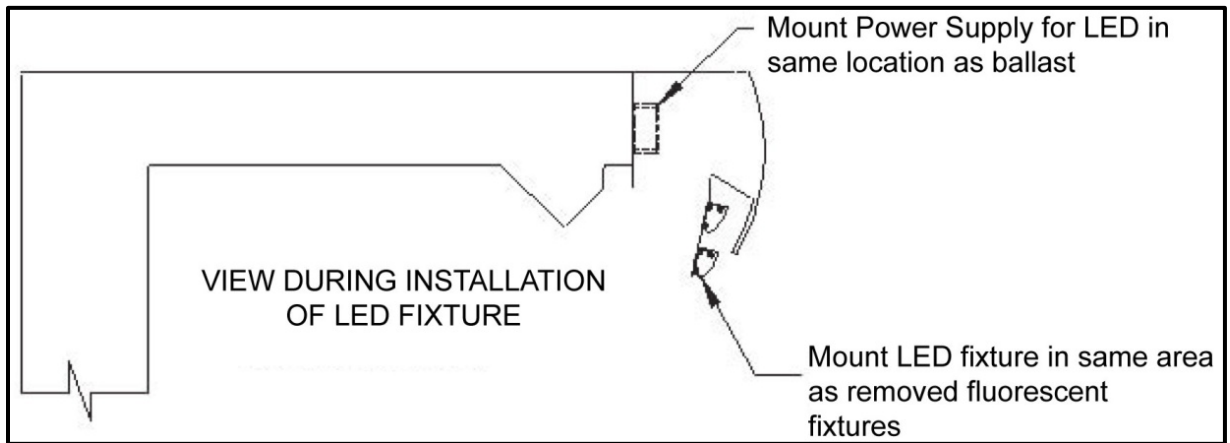


5. Mount the 24V DC Class 2 power unit/LED driver in the same place the ballast(s) was/were mounted.

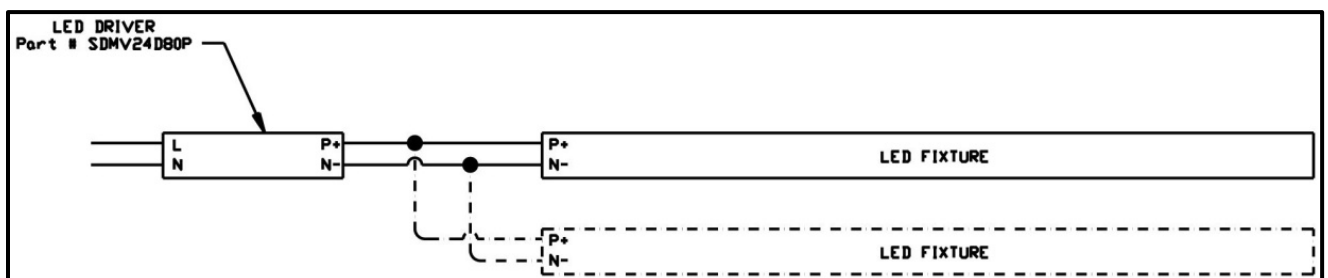


- a. Use 1 driver for an 8-foot case with canopy lighting only.
- b. Use 1 driver for a 12-foot case with canopy lighting only.

6. Install the LED Light fixture in the same location as the fluorescent lamp tubes removed in 2.3 Step 3. First, locate the desired position of the fixture(s). Secure the fixture(s) in place using magnets on the back of the fixture and, if needed, use the appropriate type of screws, bolts or pop rivets on both ends of the fixture.



- a. Drill a 1/2" hole in the cover and insert the supplied bushing. The two-conductor fixture wire will pass through the bushing and into the raceway. Cover all holes that were drilled during removal and installation of fixtures with approved sealant or other suitable material.
- b. Connect the black and white LED Driver input leads (120/240 VAC) to the original existing black and white input leads using UL Listed & Certified wire connectors.



7. Turn power ON and check the LED fixture(s) for proper operation.

8. Turn power OFF. Rotate hinged cover to prior position making sure not to damage any loose wires. Replace the screws that hold the cover in place.
9. Turn power ON and verify operation of LED fixture(s).

3. Solid Shelf LED Lights Installation

3.1. Anthony Solid Shelf Fixture Parts

	<u>Part #</u>	<u>CCT</u>	<u>Power</u>	<u>Cord Color</u>
• Solid Shelf Lights 48"	60-19955-0001	4100K	13W	White
	60-19955-0002	3000K	13W	White
	60-19955-0003	3500K	13W	White
	60-19955-1001	4100K	13W	Black
	60-19955-1002	3000K	13W	Black
	60-19955-1003	3500K	13W	Black
• Harness (for up to 5 Shelf lights)	60-19977-0001			White
	60-19977-0002			Black
• Cable Retaining Clip	60-20035-0001			

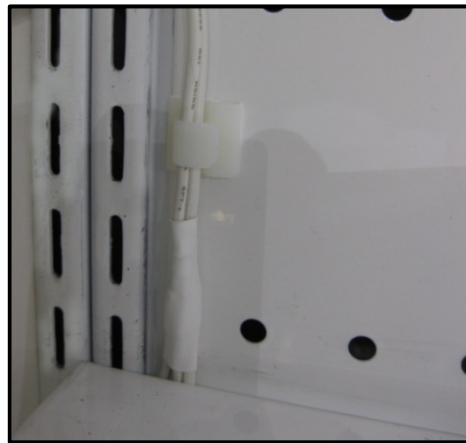
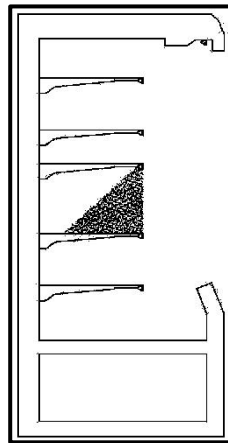


3.2. Procedure

Shelf lighting requires the use shelf wire harnesses, using one driver per harness for up to five shelves.

1. Shut off and lock out/tag out lighting power to the case.
2. Check lighting power at the case using a voltmeter. Power reading should be 0 volts.
3. Unscrew the ballast mounting screws and remove all ballasts.
4. Mount the 24V DC Class 2 power unit/LED driver in the same place the ballast(s) was/were mounted.

5. Install the LED Light fixture under the shelf in the same location as the removed fluorescent lamp tubes, if applicable. First, locate the desired position of the fixture(s). Secure the fixture(s) in place using magnets on the back of the fixture and, if needed, use the appropriate type of screws, bolts or pop rivets on both ends of the fixture.
6. Attach a harness onto the back panel of the case, running the cable behind the shelves, as shown, using cable retaining clips.
7. Run the harness cable to the top raceway.
8. Drill a 1/2" hole in the cover and insert supplied bushing. The harness cable passes through the bushing and into the raceway. Cover all holes that were drilled during removal/installation of fixtures with approved sealant or other material.



9. Attach the harness to the shelf along the side underneath the shelf using cable retaining clips and make the connection to the light fixture, as shown, and repeat for the other shelves.
10. Connect black and white LED Driver input leads (120/240 VAC) to original existing black and white input leads using UL Listed & Certified connectors.
 - a. Connect the wire with a red marker from the harness lead to the red wire on the driver output lead.
 - b. Connect the other wire from the harness lead to the blue wire on the driver output lead.

- c. Make sure any safety ground connections are always re-secured if disconnected at any time.



11. Light Fixture Power Connection to Fixture Harness Check all wiring connections and remove the lock out/tag out from the case lighting power.
12. Turn power ON and check the LED fixture(s) for proper operation.
13. Turn power OFF. Rotate hinged cover to prior position making sure not to damage any loose wires. Replace the screws that hold the cover in place.
14. Turn power ON and verify operation of LED fixture(s).

4. Revision History Page

REV	ORIGINATOR	DESCRIPTION OF CHANGE	EFFECTIVE DATE
E	F. Carbajal	Initial Release	05/16/2012
F	S. Fisher	Reformat and add Dover Logo	04/24/2013