

# Installation Instructions



## Model 1950 HVHZ4 Viewing Window

99-22275-I001  
June 2015



# Anthony Locations

## North America Locations

### Sylmar, CA

Corporate Offices  
12391 Montero Avenue  
Sylmar, CA 91342  
Phone : (818) 365-9451  
Toll Free From :  
United States : (800) 772-0900  
Canada : (800) 336-8825  
Fax : (818) 365-2441

### Madison, GA

1101 Sovis Rd  
Madison, GA 30650  
Phone: (706) 342-9300  
Fax: (706) 342-9303

### Maitland, FL

Anthony Perception Group  
555 Winderley Place, Suite 300  
Maitland, FL 32751  
Phone: (407) 571-6895  
Fax: (818) 365-2441

### Conyers, GA

709 Sigman Road NE  
Conyers, GA 30013  
Phone: (678) 607-3800  
Fax: (678) 607-3700

## International Location

### Shanghai, China

No.280, Lane  
928, Zhennan Road, Shanghai  
China 200331  
Phone: +86 216 284 8855  
Fax: +86 216 284 9513

# Safety and Warnings

## FOR YOUR SAFETY

Read and observe all **CAUTIONS** and **WARNINGS** shown throughout these instructions.

While performing installations described; gloves, safety glasses or goggles should be worn.



### Prepare Electrical Wiring

Electrical requirements:

This appliance must be supplied with 120V, 60 Hz, and connected to an individual and properly grounded branch circuit, protected by a 15 or 20 ampere circuit breaker or time delay fuse.



### Grounding Instructions – Cable Direct

This lighting system must be connected to a grounded metal, permanent wiring system, or an equipment grounding connector must be run with the system conductors and be connected to the equipment grounding terminal or lead on the lighting fixture.



### BEFORE YOU BEGIN

Read instructions completely and carefully.

Installation should be performed by Professional industrial window installer



### WARNING:

**TO REDUCE THE RISK OF FIRE, ELECTRICAL SHOCK OR INJURY, OBSERVE THE FOLLOWING:**

1. Use this unit in the manner intended by the manufacturer.
2. Before servicing or altering, switch power off.



For use inside a commercial refrigeration case with packaged foods only.

## Model 1950 Hurricane Window Installation Instructions

Model 1950 HVHZ4 Hurricane Window Installation Instructions .....	5
Revision History .....	10

### Before You Begin:

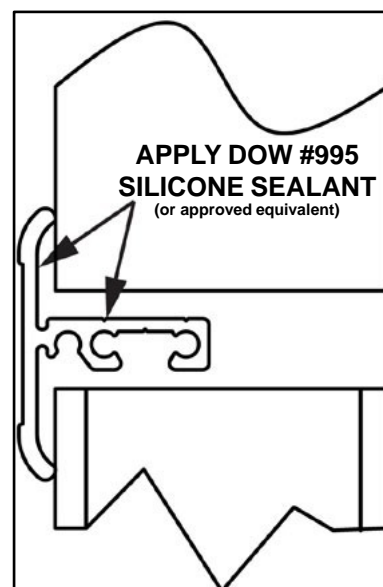
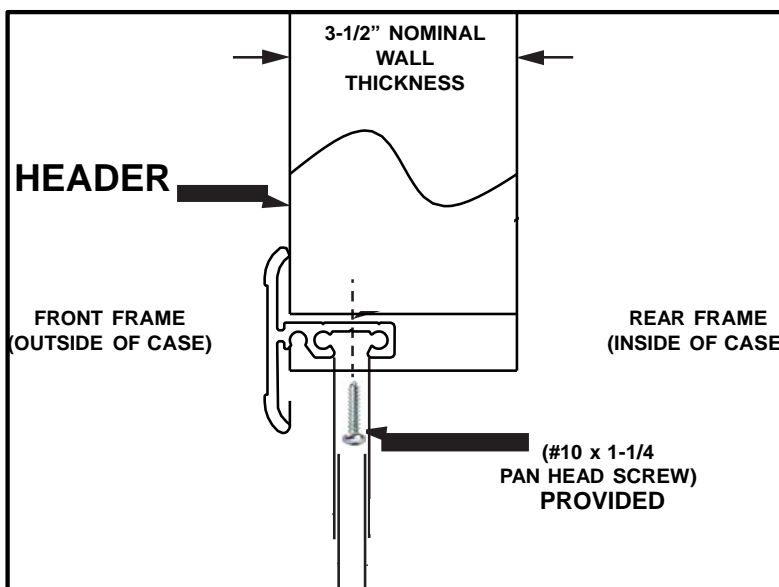
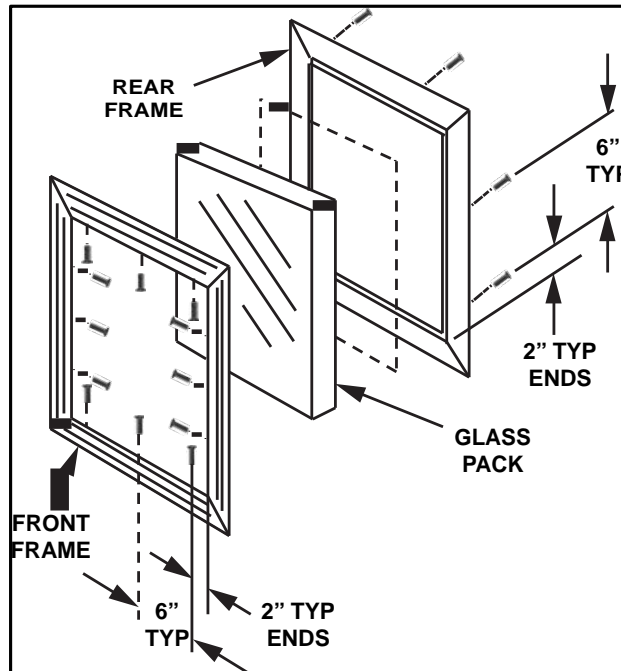
#### Required Material

1. Hurricane Window Installation Kit (04-22265-0001)
  - #10 x 1-1/4" Square Drive Pan Head Screws (72) P/N 40-22220-1012
  - Hurricane Window Installation Instructions (99-22275-I001)
2. Shim (As required) (**Not Supplied**). The glass package cannot be positioned using a pry bar or metal shim. It must be put in place with structural glazing suction cups or similar.
3. Dow Corning #995 Silicone Sealant or approved equivalent (eight (8) tubes) (**Not Supplied**).

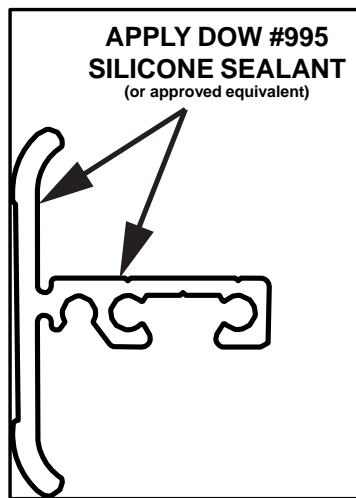
## Model 1950 Hurricane Window Installation Instructions

### Model 1950 HVHZ4 Hurricane Window Installation Instructions

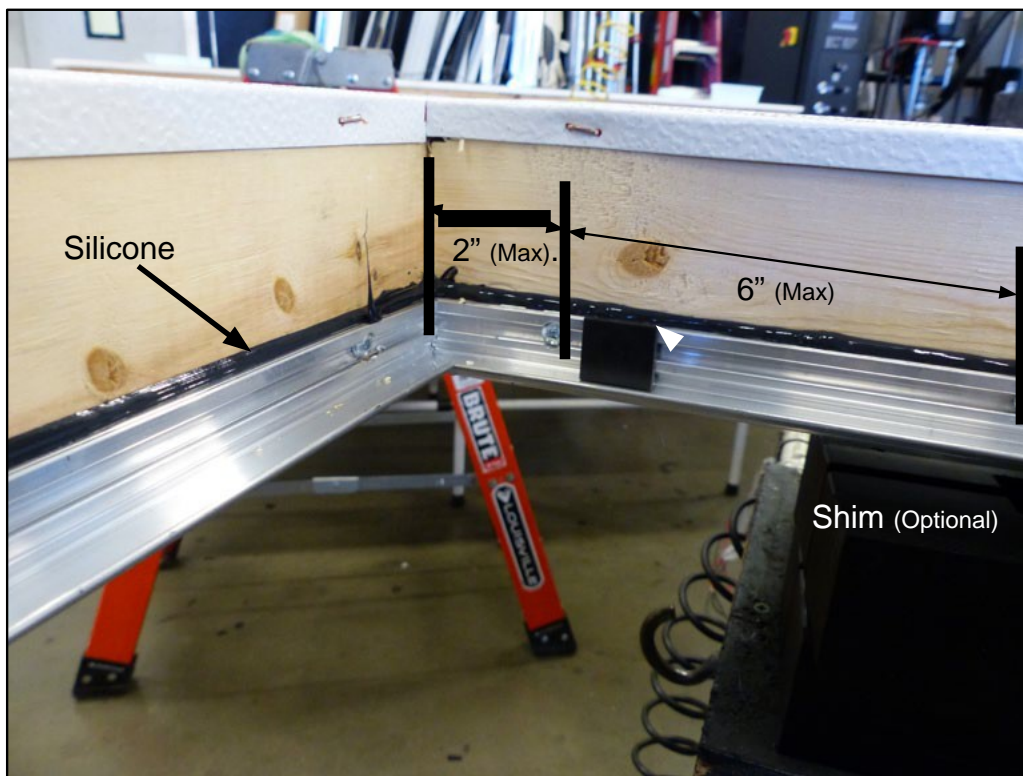
1. Check net opening before installation. Net opening size for both height and width equals frame size up to 1/8".
2. Position the front (Ambient or Outside side) frame first. Drill pilot holes for the installation screws, using the frame holes as a template.



3. Apply Dow Corning #995 Silicone Sealant or approved equivalent (**not supplied**) around the entire outside perimeter, the area between the front flap and the case opening to assure an airtight seal. Secure the frame into place with the provided 1-1/4" #10 square drive pan head screws (40-22220-1012). Use the frame as the pilot hole template.



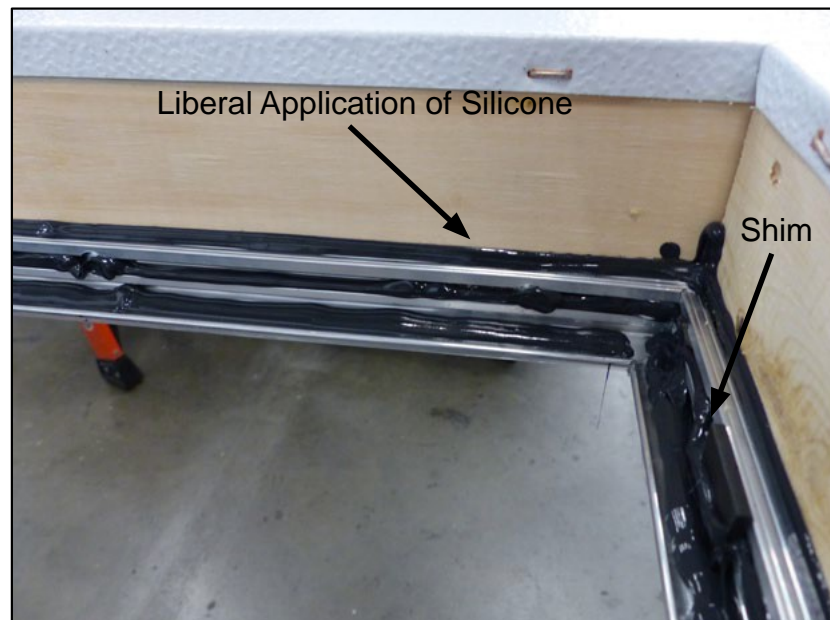
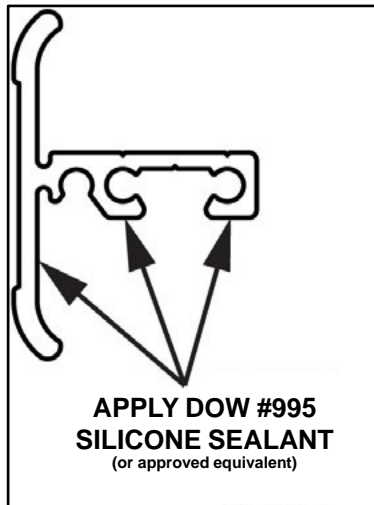
4. Apply Dow Corning #995 Silicone Sealant or approved equivalent (**not supplied**) around the entire inside joint perimeter, as shown in the following illustration.



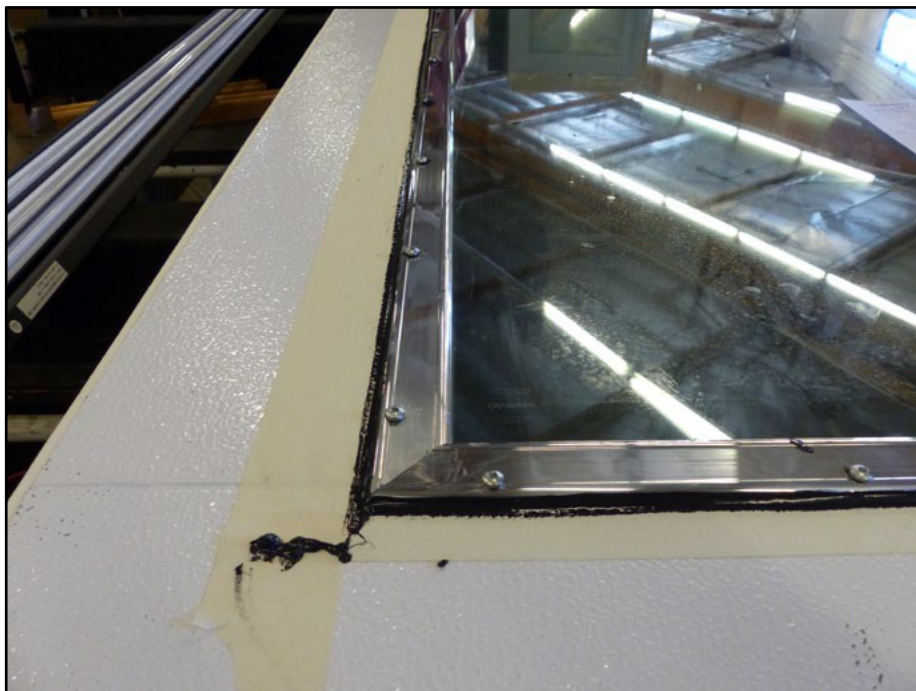
**NOTE:** Use the frame as a template. In the event that installation holes are not drilled in frame, use the dimensions as illustrated above.



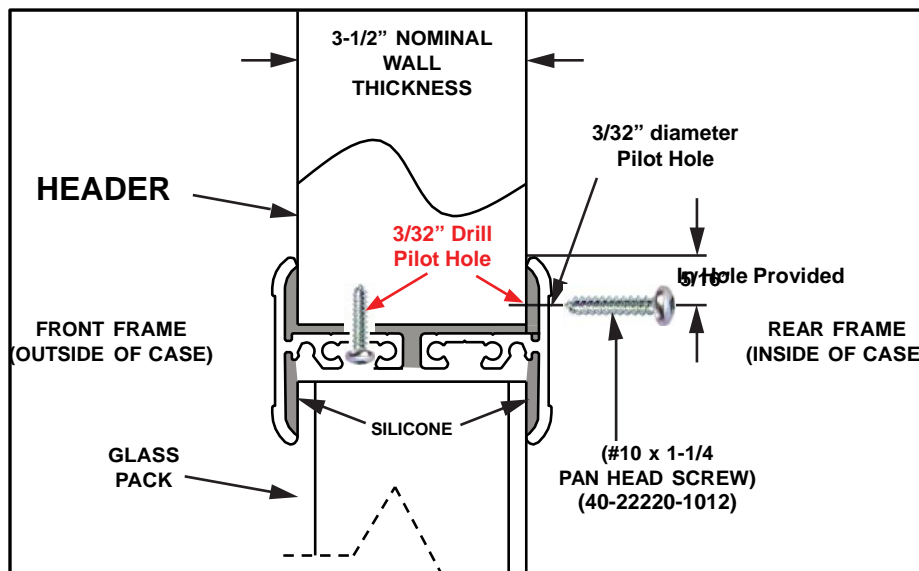
5. Apply Dow Corning #995 silicone sealant or approved equivalent to the entire interior surface and place shims equally spaced on the front aluminum.
6. Place the glass pack in position from inside and shim the gap between the glass unit and the wood frame.



7. Divide the distance between the corners into three equal lengths and mark locations. Apply a liberal amount, several pumps, of Dow Corning #995 Silicone Sealant or approved equivalent (**not supplied**) at these positions between the edge of the glass unit and the wood frame.



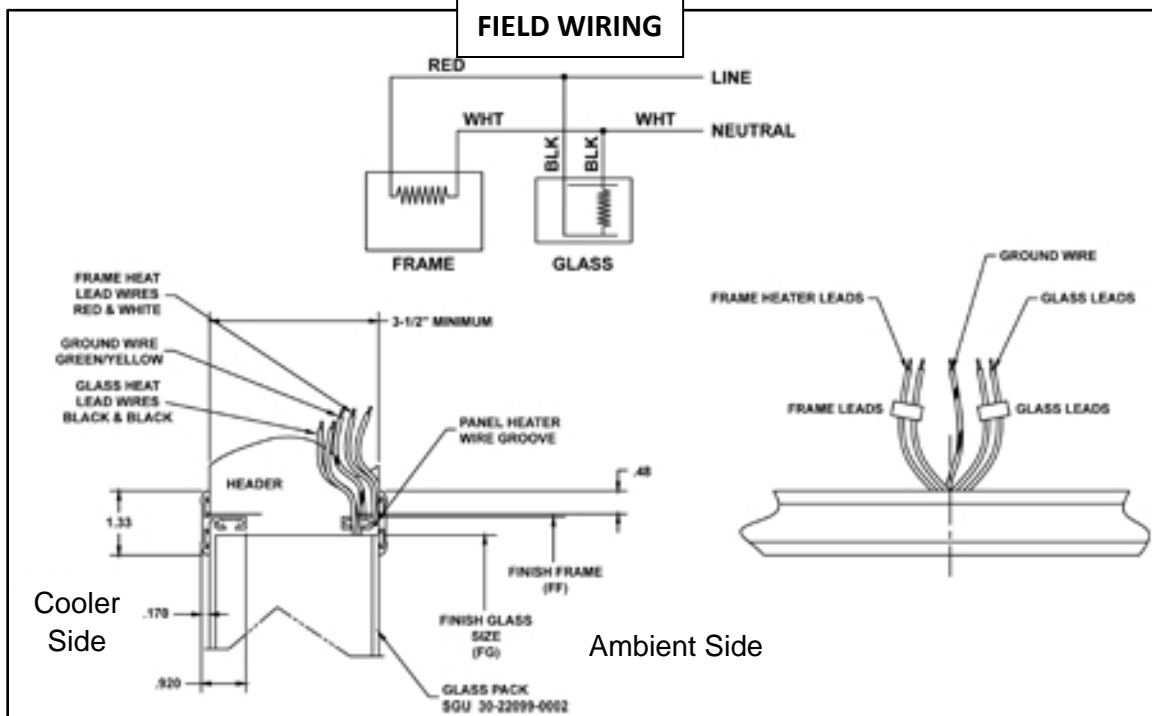
8. Apply Dow Corning #995 Silicone Sealant or approved equivalent (**not supplied**) around the entire perimeter of the back frame to assure an air tight seal between the frame and wood and frame and glass unit.
9. Place the frame into position and drill installation screw pilot holes before securing it with 1-1/4" #10 square drive pan head screws (40-22220-1012).



**NOTE:** In the event that installation holes are not drilled in frame, drill pilot holes per step two of this instruction.



10. For heated glass applications: glass pack and front frame perimeter are heated.



## Field installation of electrical conduit and box

- The 1950 unit that is heated has 2 options to connect to electrical conduit
  1. By Attaching the Flex conduit directly to the pre drilled / slotted wire exit in the 1950 Aluminum rail and running the Flex line through the Case Box. To the electrical connection box.
  2. Parts list  
(Please NOTE : These items may be shipped separately , purchased at local hardware store , an/ or installed on units shipped )
    - a. ½ " Flex line
    - b. rounding locking Nut
    - c. Hex Nut
    - d. Flexible steel conduit fitting
  3. Parts Pictures :
    - a. Flexible steel conduit fitting



b. ½ " Flex line



c. rounding locking Nut



d. Hex Nut



e. Flexible steel conduit fitting



- Install Flexible steel conduit fitting into 1950 rail  
Fish wires through fitting and feed wires into Flex conduit



- Slide and install Flex conduit onto Flexible steel conduit fitting

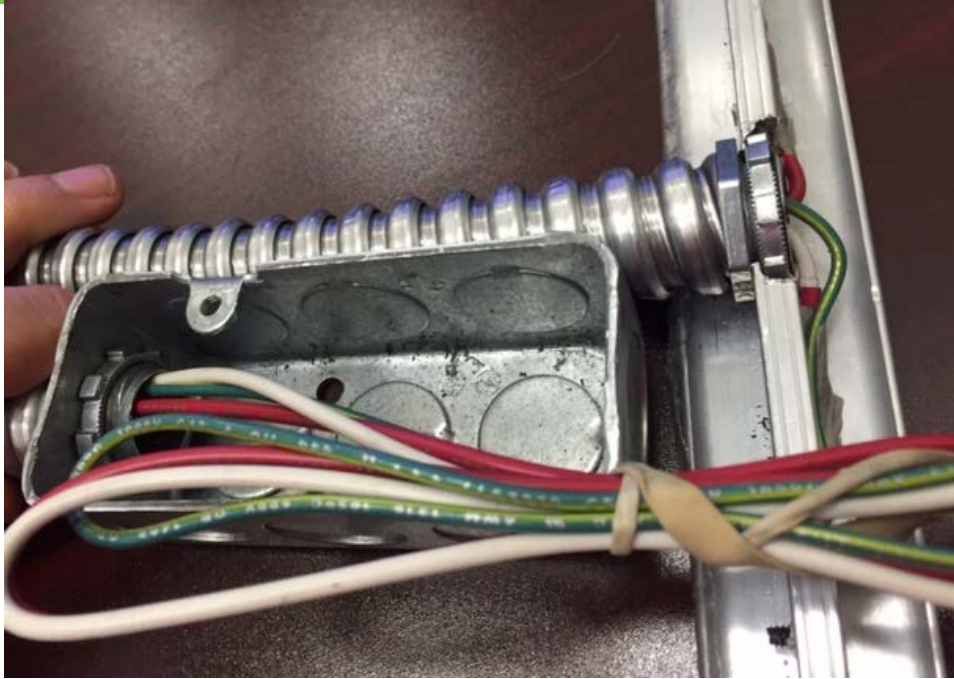
Continued on next page



- Punch knockout on electrical Box



- Feed wires through knock out
- Secure Flexible steel conduit fitting onto Box



- Continue with Local Zoning electrical connection to main circuit



## Revision History

REV	ORIGINATOR	DESCRIPTION OF CHANGE	DATE
A	S. Chenevert	Production Release	05/18/15
B	S. Chenevert	Added required materiel	06/08/15
C	KH DB	See ECN 14671	06/17/15
D	KH RW DB	See ECN 15633	06/19/15
E	KH BK DB	Updated Window professional	06/01/17