

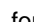


Gravity Flow Shelf Installation Instructions

99-15284-0000

Copyright © 2011 by  Anthony

ALL rights reserved. Information in this document is subject to change without notice. Companies, names and data used in examples herein are fictitious unless otherwise noted. No part of this document may be reproduced or transmitted in any form or by any means, electronic or mechanical, for any purpose, without express permission of Anthony Manufacturing Co., Inc.

Anthony products identified in this manual are designed and certified to meet  for safety, and  for sanitation standards.

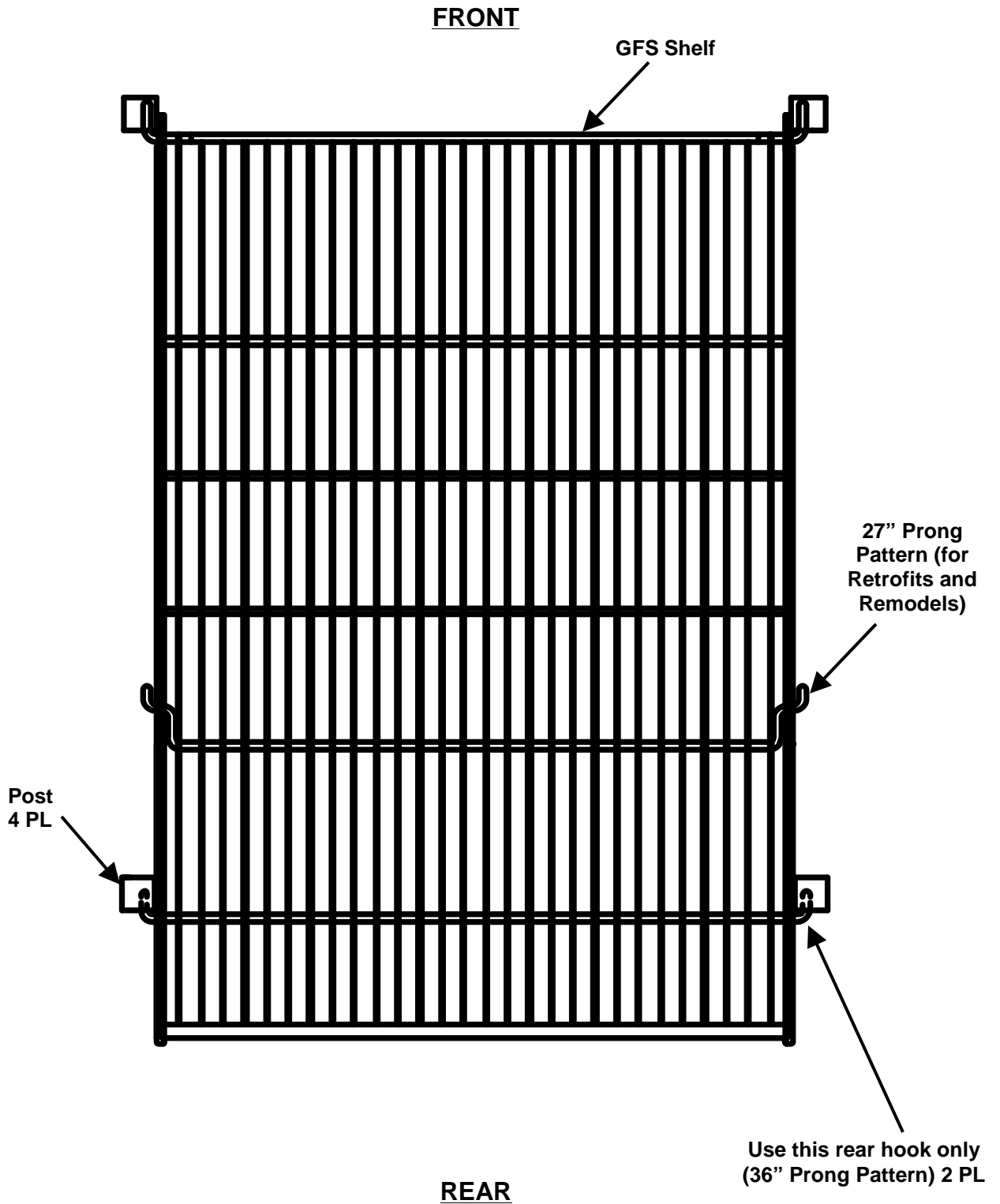
European products meet  requirements.

Each customer is responsible for final site approval.

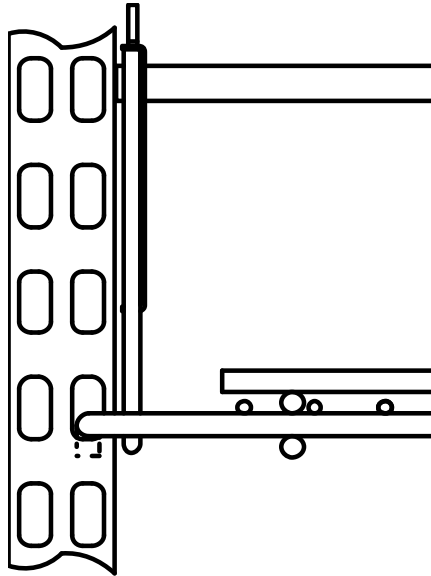
TABLE OF CONTENTS

1. Gravity Flow Shelf Posts/Shelf Orientation	4
2. Front Shelf Hook.....	5
3. Rear Shelf Hook	5
4. Revision History Page	6

1. Gravity Flow Shelf Posts/Shelf Orientation

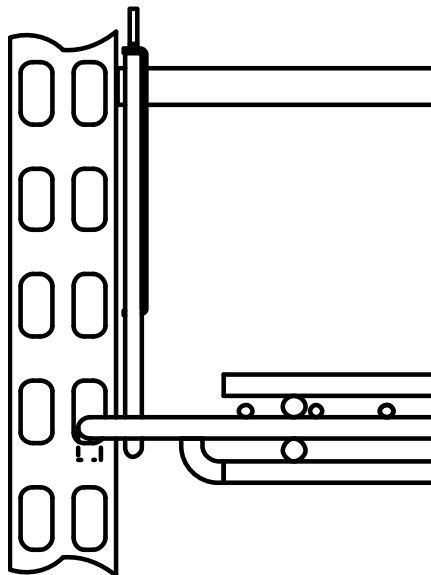


2. Front Shelf Hook



1. Align the front shelf hooks to the rectangular holes on the center posts.
2. Push hooks into holes and then push down.

3. Rear Shelf Hook



1. Align the rear shelf hooks to the rectangular holes on the center posts.
2. Push hooks into holes and then push down.

4. REVISION HISTORY PAGE

REV	ORIGINATOR	DESCRIPTION OF CHANGE	EFFECTIVE DATE
A	Jeff Nicholson	Initial Release	08/05/2004
B	S. Fisher	Reformat from eDrawing to Word	03/14/2013