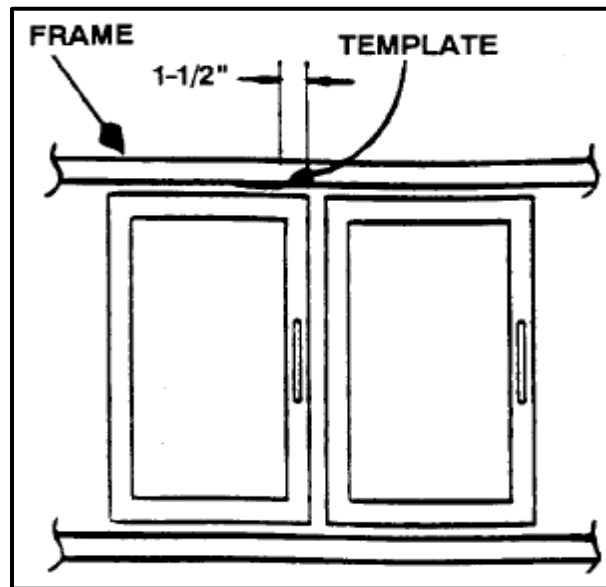




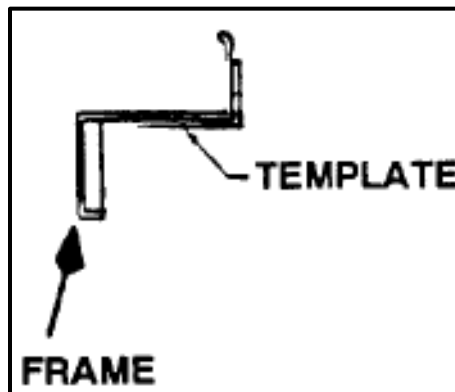
POM Lock Retrofit Kit Installation Instructions

1. POM Lock Retrofit Installation Instructions

1. To install the retrofit retainer, measure over 1-1/2" from the edge of the door (handle side) and mark the frame above the door.

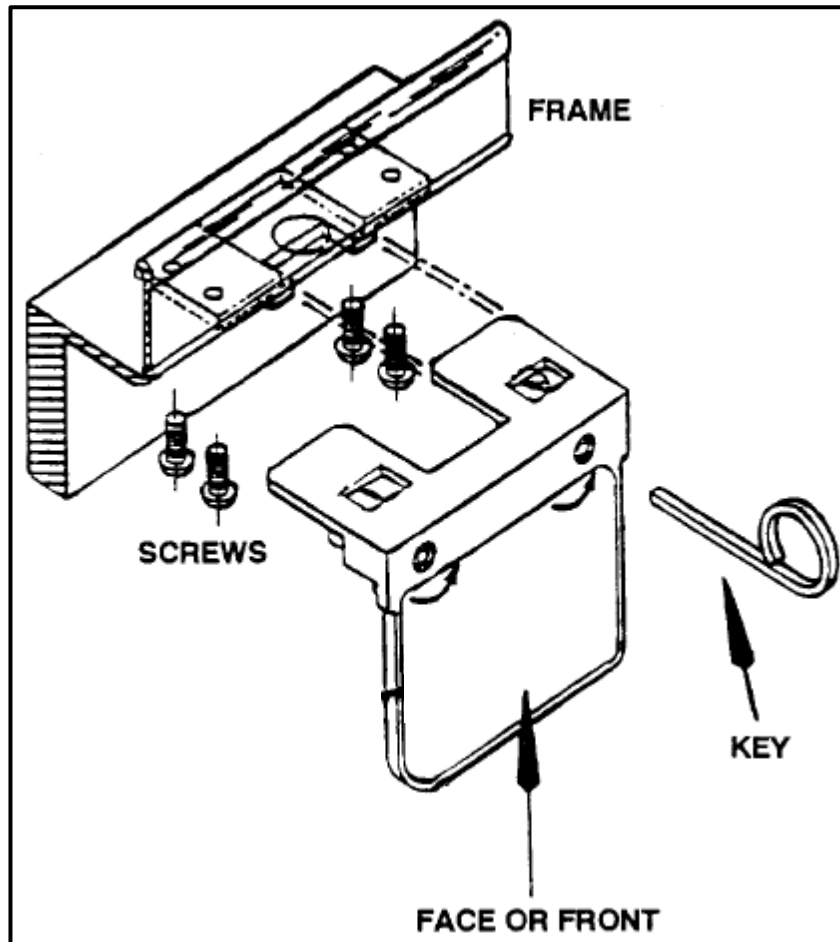


2. Place the template provided on the frame with the right edge of the template on the mark created in Step 1.



3. Mark the frame through the five holes on the template with a pencil. Remove the template and center punch the marks on the frame.
4. Drill the four outboard holes with an 11/64" drill, and the center hole with a 5/8" drill. Deburr the holes.
5. Place the retrofit retainer bracket over the holes with a rectangular notch cut out. Use #10-32 x 5/16" screws provided, and mount the retainer bracket to the frame.

6. Insert the POM Lock into the access plate and turn the key counter-clockwise to lock.



7. Remove the key.
8. To remove the POM Lock, insert the key into the square lock hole and turn the key clockwise.

