



Standard Shelving Installation Instructions

99-18880-I001



Copyright © 2011 by

ALL rights reserved. Information in this document is subject to change without notice. Companies, names and data used in examples herein are fictitious unless otherwise noted. No part of this document may be reproduced or transmitted in any form or by any means, electronic or mechanical, for any purpose, without express permission of Anthony Manufacturing Co., Inc.

Anthony products identified in this manual are designed and certified to meet or ~~UL~~ for safety, and for sanitation standards.

European products meet ~~CE~~ requirements.

Each customer is responsible for final site approval.

TABLE OF CONTENTS

- 1. Preliminary Considerations for Standard Shelving Installation instructions 4
 - 1.1. Safety..... 4
 - 1.2. Tools..... 4
 - 1.3. Tips..... 4
- 2. Vertical and Horizontal Can and Bottle Dispenser and Merchandiser 5
 - 2.1. Installation Instructions 5
- 3. Standard Corner Shelving Installation Instructions 6
- 4. Basket Shelf Instructions 9
- 5. Milkmaster Instructions..... 9
- 6. Wine Shelf Instructions..... 10
- 7. Deli Rack Roll-A-Way Instructions..... 10
 - 7.1. Deli Basket Installation..... 11
- 8. Vertical Can and Bottle Roll-A-Way Instructions..... 11
- 9. Double and Single Door Deli-Vue Installation Instructions 12
 - 9.1. Deli-Vue Hook Installation..... 14
 - 9.2. Basket Installation..... 14
- 10. Half-Door Deli-Vue Installation Instructions 14
 - 10.1. Deli-Vue Hook Installation..... 15
- 11. Wine-Vue Installation Instructions 16
 - 11.1. Wine-Vue Installation 16
 - 11.2. Top Shelf 17
 - 11.3. Wine Cradle 17
- 12. Standard Shelving Installation Instructions 18
 - 12.1. Shelf posts 18
 - 12.2. Shelf Installation 20
 - 12.3. Shelf Sizes Catalog..... 21
 - 12.4. Shelf Dimensions 21
- 13. Revision History Page 24

1. Preliminary Considerations for Standard Shelving Installation instructions

1.1. Safety

Proper safety equipment includes:



Safety Glasses



Work Gloves



Work Shoes



NOTE: Turn off all electrical power prior to beginning work on the door or on any electrical equipment. Use extra caution when working with or around the door glass package.

NOTE: Do Not use power tools for the following procedures.

1.2. Tools

Tools required for this procedure include:

- #2 Phillips-head screwdriver
- Needle-nose pliers
- 7/16" and 1/2" Hand Wrench
- Wire stripper and cutter
- Flat-head screwdriver
- Rubber or plastic mallet
- 5/32" Hex Key
- Razor Knife

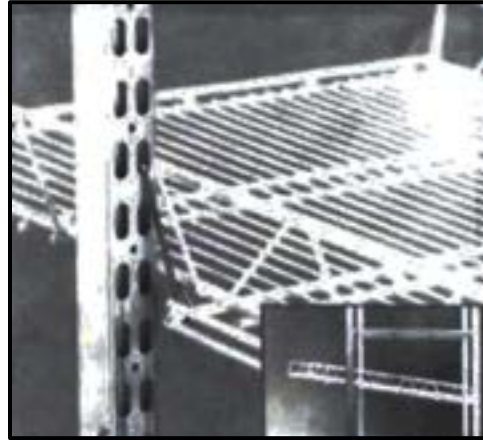
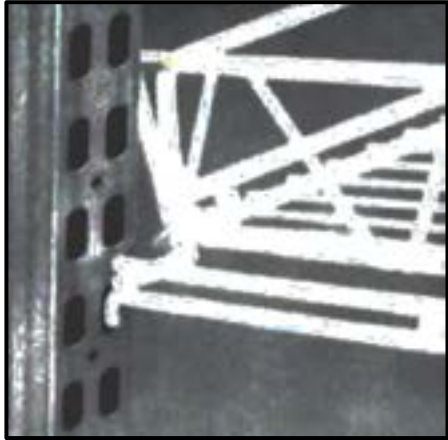
1.3. Tips

- Complete replacement of wire assemblies is recommended whenever required. Splice wires only if necessary, using proper materials: such as electrical tape, wire nuts, flux core solder and heat shrink.
- Keep doors and frames clean for product efficiency. This can also help reduce energy consumption and potential health hazards.
- Whenever binding gasket or plastic parts, use food grade silicone.
- Always use the correct tool for the job to be performed. This ensures proper installation and minimizes safety risks.
- If there is any doubt about the work to be performed, consult with a certified technician or Anthony representative.
- Preventative maintenance is recommended to ensure product longevity.

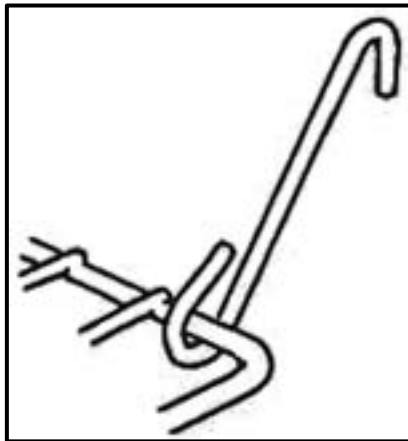
2. Vertical and Horizontal Can and Bottle Dispenser and Merchandiser

2.1. Installation Instructions

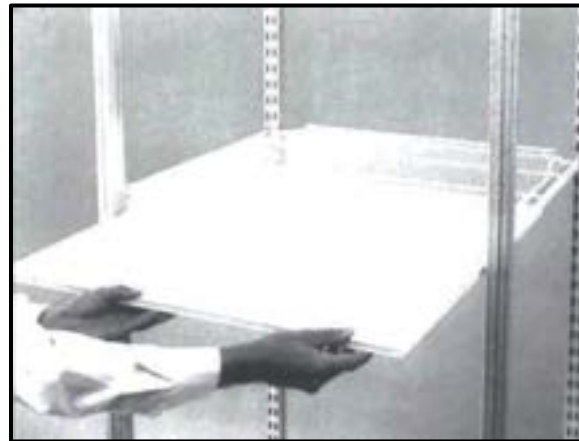
1. Install front prongs of the can or bottle dispenser shelf in front post slots with the shelf's back end titled up at an angle.



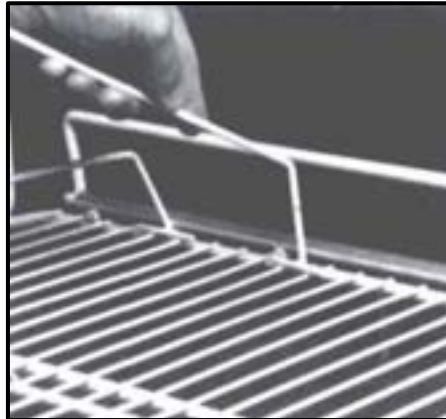
2. Space shelves for desired product heights. Pull swivel hooks (Figure 3) attached to rear of dispensers into slots on rear posts and drop rear of dispenser down. For best results with gravity feed dispenser, position dispenser at 15 degree angle with back end of dispenser installed approximately four slots higher than front of shelf. Refer to Figure 4 .



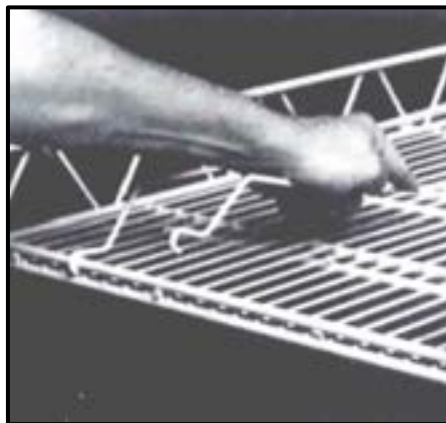
Swivel Hook



3. Dividers can be positioned at any point along the shelf. To install, insert the front prong between the price tag molding bars.



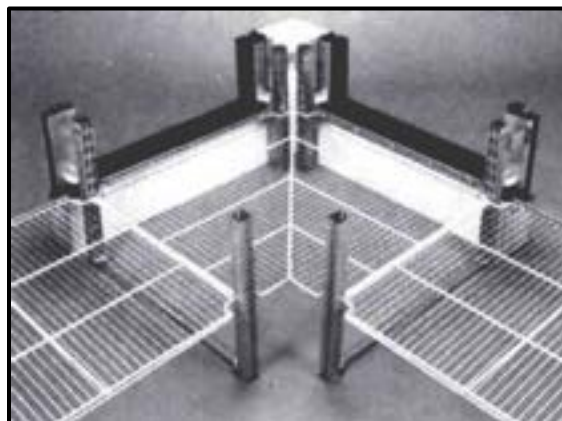
4. Flex the divider and hook the other end over the bar.



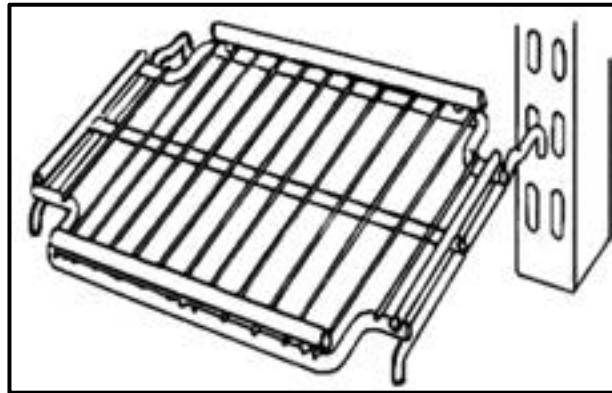
5. Milk drip pan for dispensers slides in and out of “L” brackets on bottom of shelf dispenser

3. Standard Corner Shelving Installation Instructions

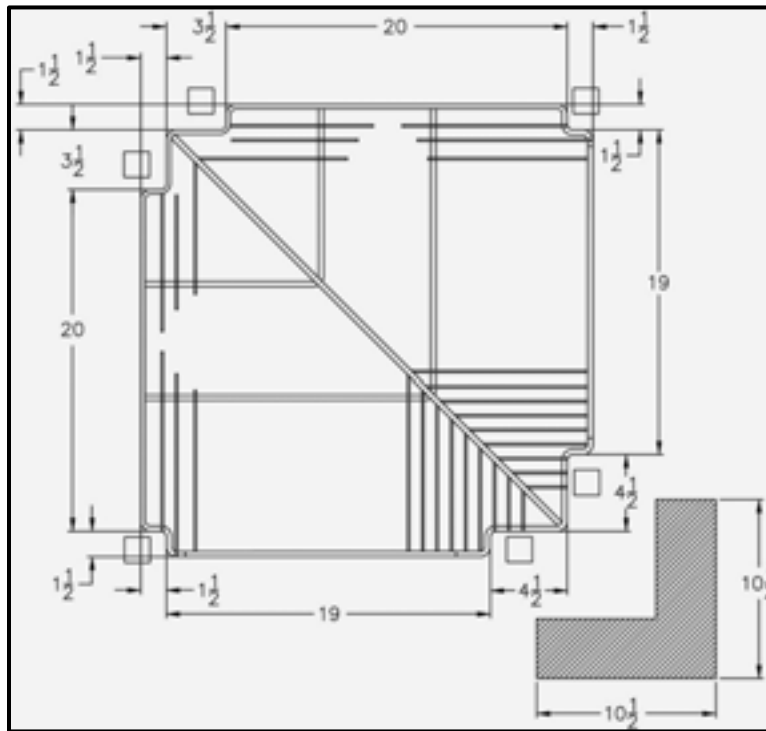
1. Corner shelving is designed to go between two-sided walk-ins.
2. Corner shelving as a rule is used between an “L” shaped walk-in with the doors on the outside of the “L”.



3. Corner shelving is designed to cover the two doors in the inside corner of the "L".
4. Installation of corner shelving is the same as standard shelving except some corner shelves will have more posts.

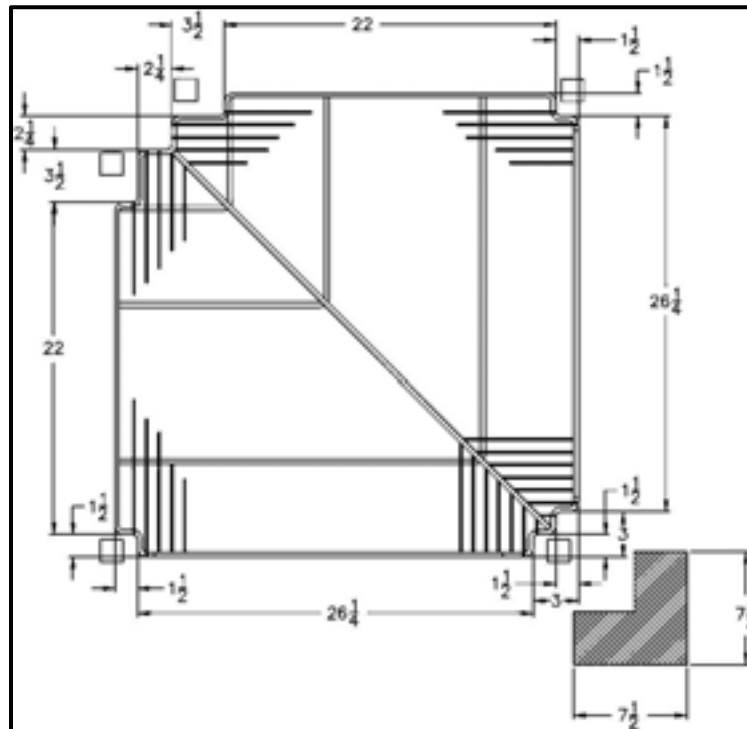


5. The standard corner shelf:
 - a. 23" doors take a 10-1/2" X 10-1/2" corner measured from the outside of walk-in corner to start of net opening both ways from corner.

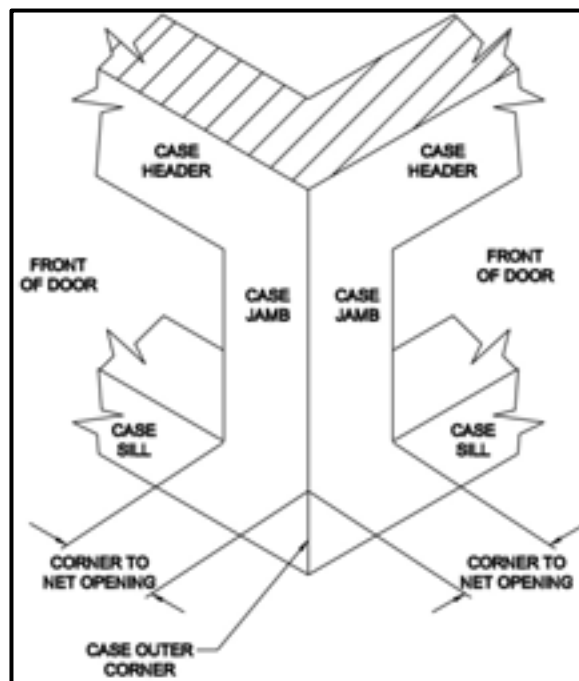


23" Door

- b. 26", 28" and 30" doors take 7-1/2" X 7-1/2" corner measured the same as 23" doors.



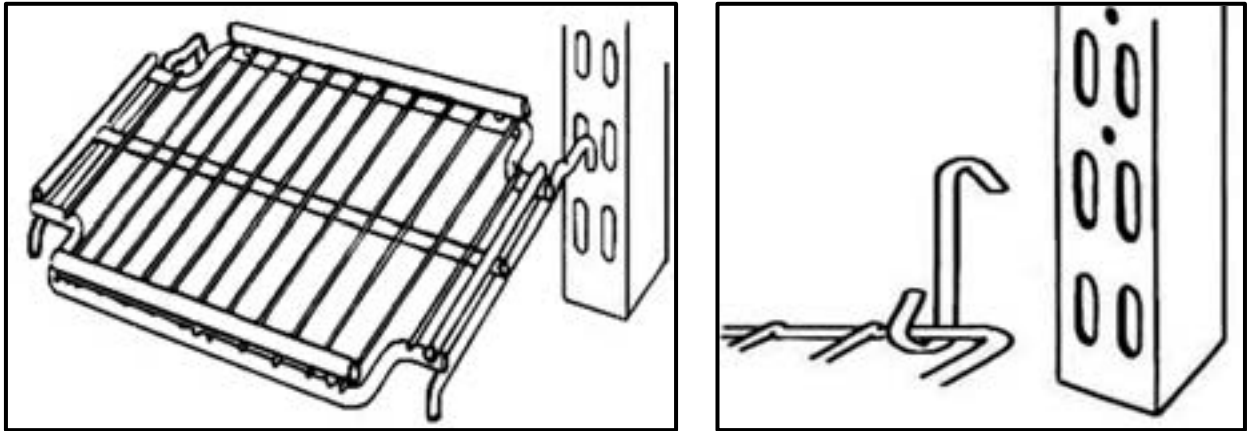
26", 28" and 30" Door



90 Degree Outer Corner

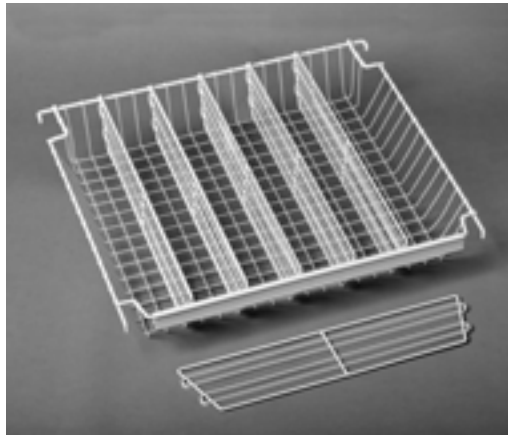
- 6. Custom corner shelves available upon request.

4. Basket Shelf Instructions



Basket Shelf Rear

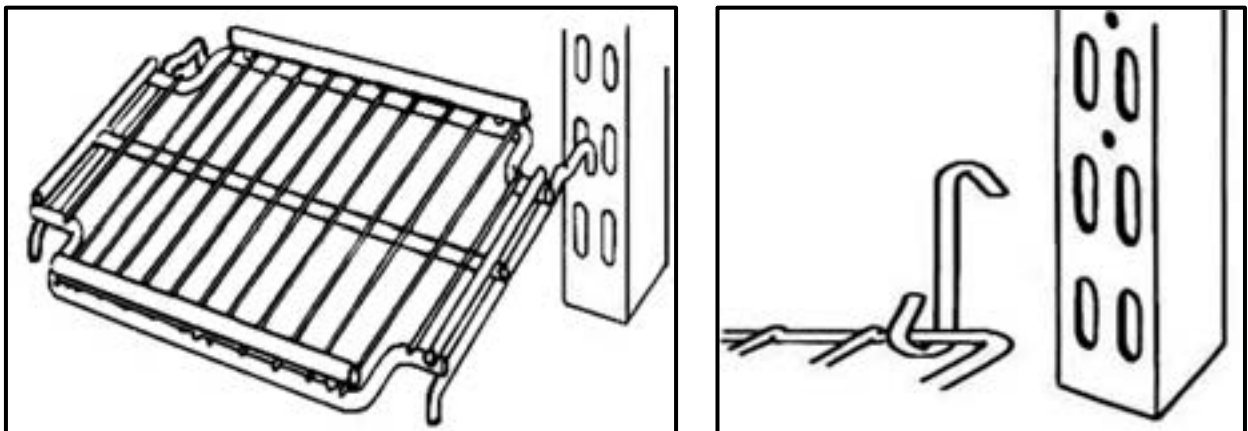
1. Dividers clip on front and rear shelf wires.



Clip-On Dividers

5. Milkmaster Instructions

1. The Roll-In Milkmaster is 29-1/2" wide by 37" deep by 76" wide.
2. The Milkmaster shelving installs the same way as a can and bottle dispenser, except that the Milkmaster has its own "snap in place" rear product stop.



Milkmaster Shelving Rear

3. The Milkmaster bottom drip pan installs into the bottom of the Roll-A-Way in between the “L” shaped bottom bracket in the shelf.

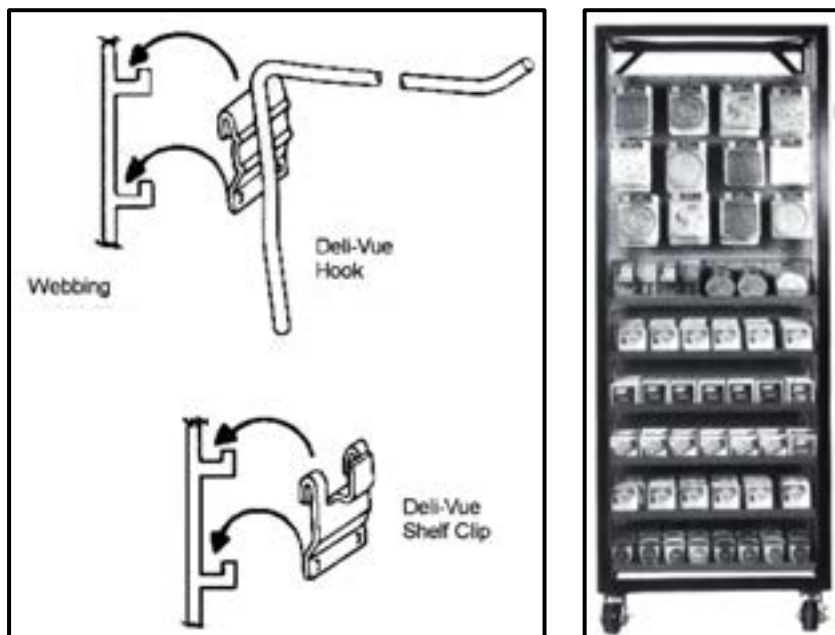
6. Wine Shelf Instructions

1. The Wine Shelf is a standard size shelf with raised affixed dividers
2. The shelf accommodates a two-bottle depth.



7. Deli Rack Roll-A-Way Instructions

1. The Deli Rack Roll-A-Way dimensions are 30-1/2” wide by 27-1/2” deep and 80” tall.
2. The Deli Rack Roll-A-Way fits behind the all glass pass-thru doors.
3. To push the Deli Rack Roll-A-Way out of way, release the unit’s front brakes.
4. To install Deli-Vue Hooks, snap the “U” bracket on the back of the hook into the webbing groove.

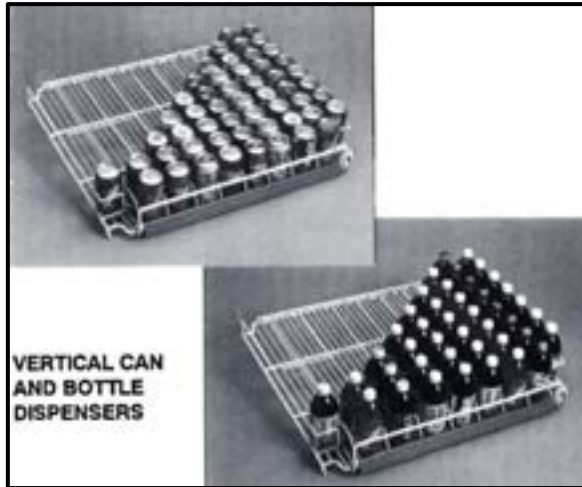


7.1. Deli Basket Installation

1. Attach the Deli-Vue Shelf Clip to the webbing.
2. Attach the basket to the Deli-Vue Shelf Clip.

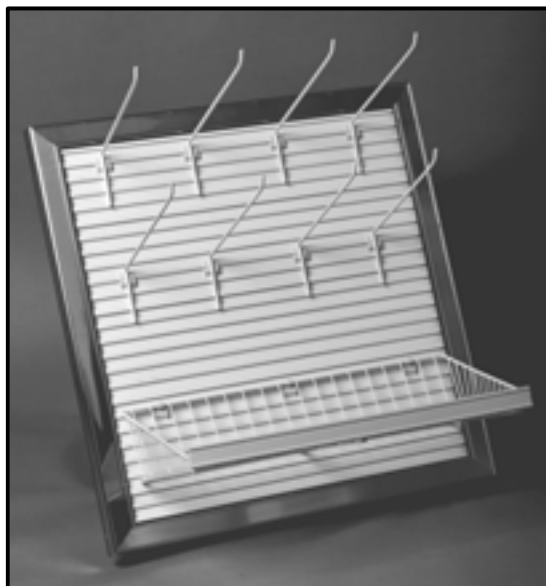
8. Vertical Can and Bottle Roll-A-Way Instructions

1. The vertical can and bottle Roll-A-Way goes behind any Anthony all glass pass-thru doors.



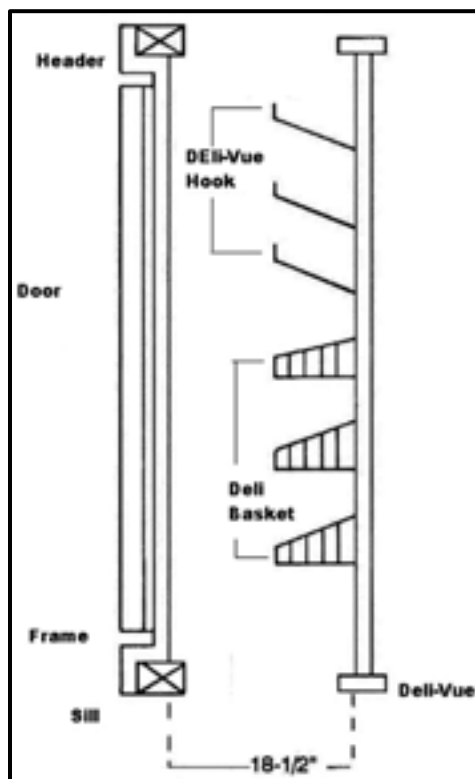
2. Install the Roll-A-Way before installing the frames and doors.
3. The dimensions of the Roll-A-Way are 30-1/2" x 27-1/2" x 80" tall.
4. Install shelving the same way as Standard shelving instructions. Refer to Standard Shelving Installation Instructions.
5. To remove the Roll-A-Way, release the front brakes.

9. Double and Single Door Deli-Vue Installation Instructions



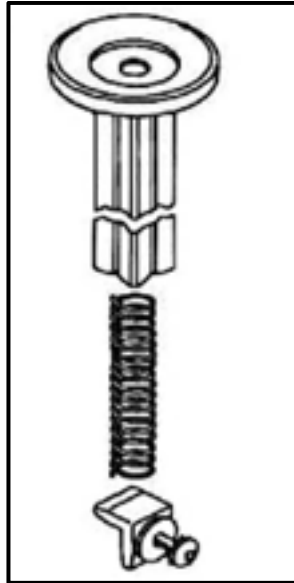
Deli-Vue

1. Install Deli-Vue 19-1/2" in from back of frame plastic to front of Deli-Vue upright.



2. Overall depth of the Deli-Vue assembly is 14-1/2".
3. Deli-Vue baskets should sit approximately 3"-4" in from the back of the frame plastic.
4. The standard assembly fits ceiling heights of 82-1/2" to 96-1/2".

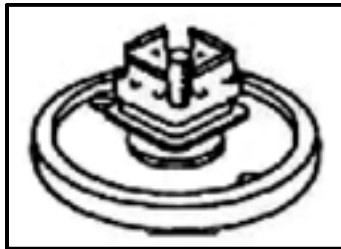
5. To install Deli-Vue:
 - a. Loosen screws (CCW) at top back of Deli-Vue upright.



Spring-Loaded Deli-Vue Upright

- b. Push adjustable spring rod insert up to ceiling.
 - c. Re-tighten screws.
 - d. Repeat Step a. thru Step c. on the other side.

Note: Make sure the Deli-Vue is level and plumb before tightening screws. There is an adjustable foot on the bottom of the Deli upright for leveling.

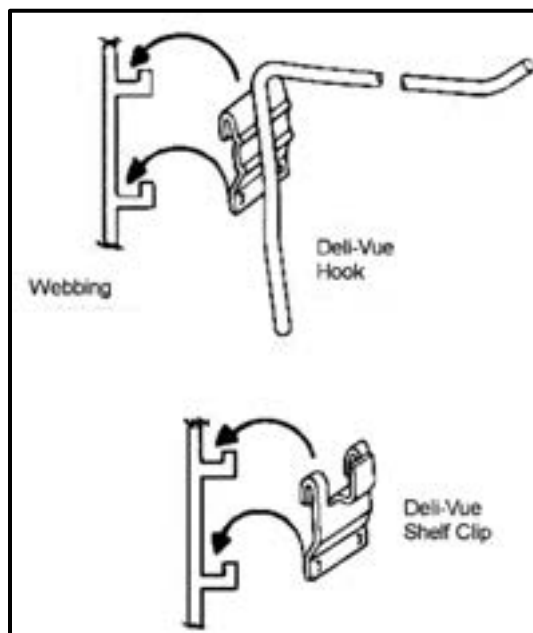


Deli-Vue Foot

6. Set a basket up to the front of the Deli-Vue to make sure the unit is not too close to the break of the door.
7. Go back to the adjustable spring uprights, and put a screw into the access hole in the round plate that goes from the upright to the ceiling. This is a safety precaution.

9.1. Deli-Vue Hook Installation

1. To install Deli-Vue Hooks, snap the “U” bracket on the back of the hook into the webbing groove. Space for desired product.



9.2. Basket Installation

1. Attach the basket into the Deli-Vue Shelf Clips.

Basket Depth	Basket Product Area	Deli Peg Length
12"	9-3/4" Deep	12"

10. Half-Door Deli-Vue Installation Instructions

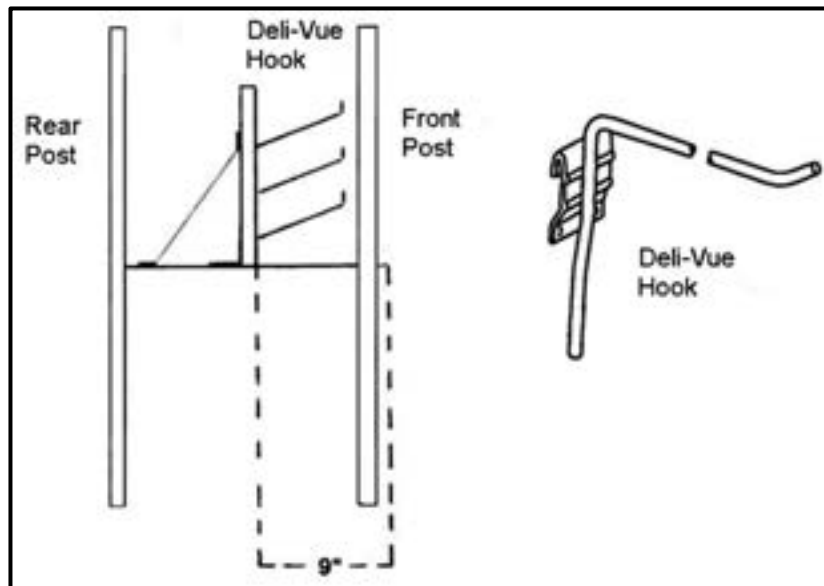


Half-Door Deli-Vue

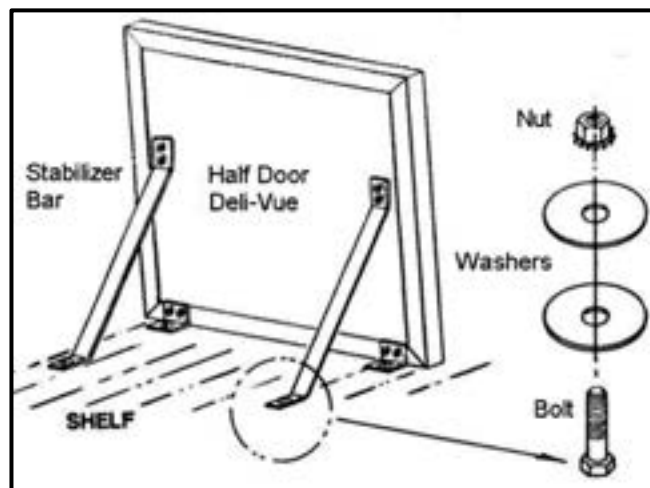
1. Attach aluminum stabilizer bars with screws provided to the back top end of the Deli door.

Note: Holes are pre-drilled.

2. Locate the Half Door Deli 9" in from the front of the standard shelf (27").



3. Fasten the bottom end of the stabilizer bars to the shelf wires with nuts, bolts, and washers provided.



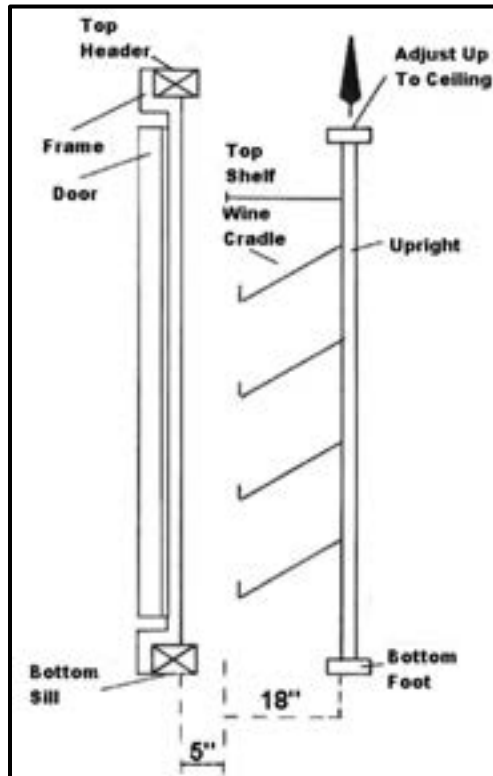
10.1. Deli-Vue Hook Installation

1. Snap the "U" bracket on the back of the hook into the webbing groove.

Note: The Half-Door Deli-Vue sits on a standard 27" deep shelf.

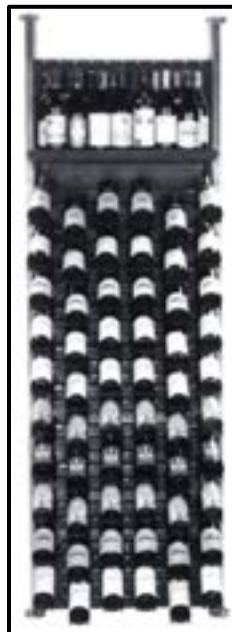
11. Wine-Vue Installation Instructions

1. Install the Wine-Vue (webbing with uprights) 23" in from the back of the frame plastic to the front of the Wine-Vue.
2. The overall depth of the Wire-Vue assembly is 18".



3. Wine-Vue cradles should sit approximately 4"-5" in from back of frame plastic.

11.1. Wine-Vue Installation



1. Loosen the screws (CCW) at the top back of the Wine-Vue uprights.
2. Push the adjustable spring rod insert up to the ceiling.
3. Re-tighten the screws.
4. Repeat Step 4. thru Step 6. on the other side.

Note: Make sure the Wine-Vue is level and plumb before tightening the screw all the way. There is an adjustable foot on the bottom of the Wine-Vue upright for leveling.

5. Set a cradle up to front of Wine-Vue to make sure unit is not too close to glass.
6. Now go back to spring adjustable uprights and put a screw into access hole in top plate that goes from upright to ceiling.

Note: This is a safety precaution.

11.2. Top Shelf

1. Install the Deli-Vue Shelf Clips provided

Note: Deli-Vue Shelf Clips insert into the grooves in the webbing.

2. Insert the shelf into the Deli-Vue Shelf Clips.

Note: Use two clips per shelf.

11.3. Wine Cradle

1. Install the Deli-Vue Shelf Clips provided

Note: Deli-Vue Shelf Clips insert into the grooves in the webbing.

2. Insert the Wine Cradle into the Deli-Vue Shelf Clips.

Note: Use two clips per shelf.

Note: Set the Deli-Vue Shelf Clip spacing for the desired product.

Overall Top Shelf Depth	Cradle (Single Bottle Depth)
15"	14-1/2" Deep

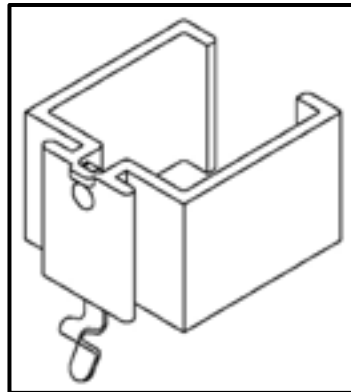
12. Standard Shelving Installation Instructions

12.1. Shelf posts

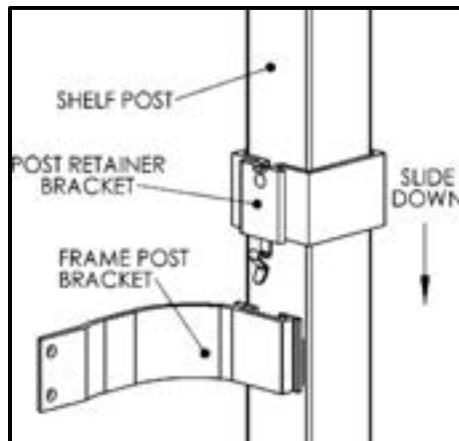
1. Install the front shelf posts.



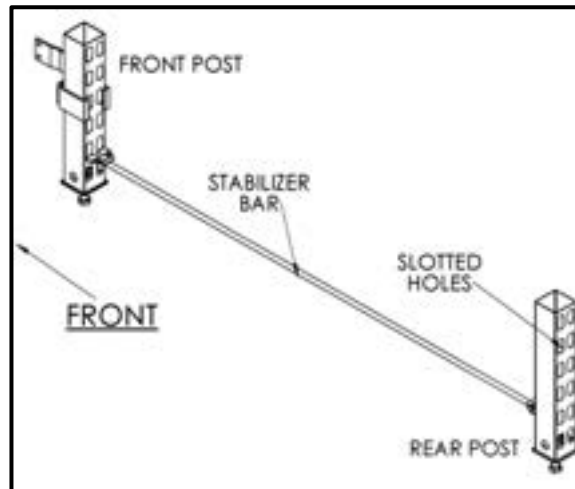
2. Fit the top and bottom retaining brackets over the top post with the offset keyway retainer at the back of the post (Opposite side of post slots).



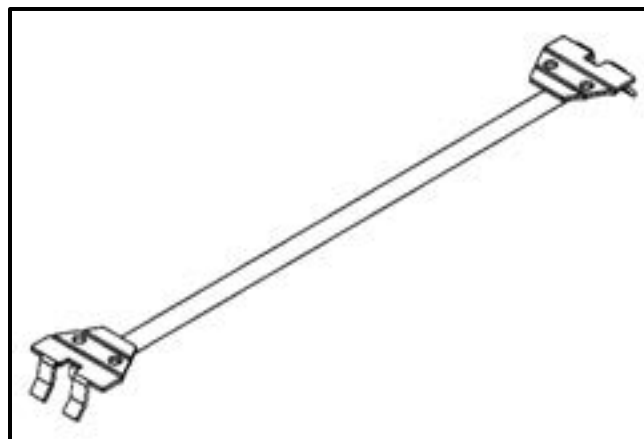
3. The post retaining bracket spring slides into the female frame post bracket from the top down.



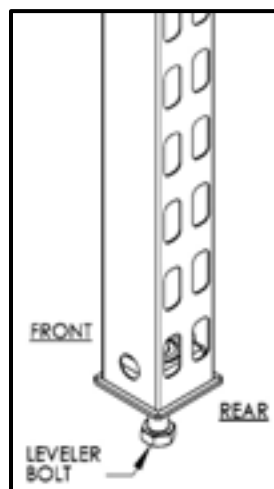
- The slotted holes in the front and rear posts now face toward the back wall (inside of case).



- Install post stabilizer bars on the top and bottom of all posts, front to rear, before installing the shelves. Stabilizer bars have a forked end that inserts into the elongated holes in the front and rear posts.



- Level the front and rear posts at the bottom of the post.

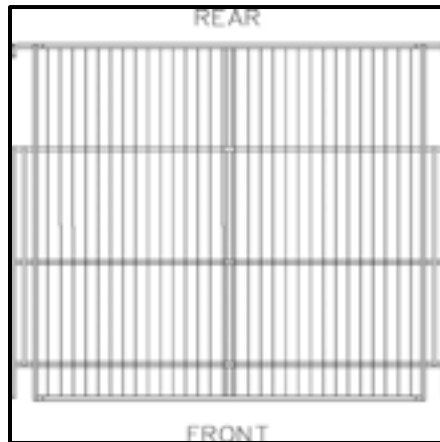


12.2. Shelf Installation

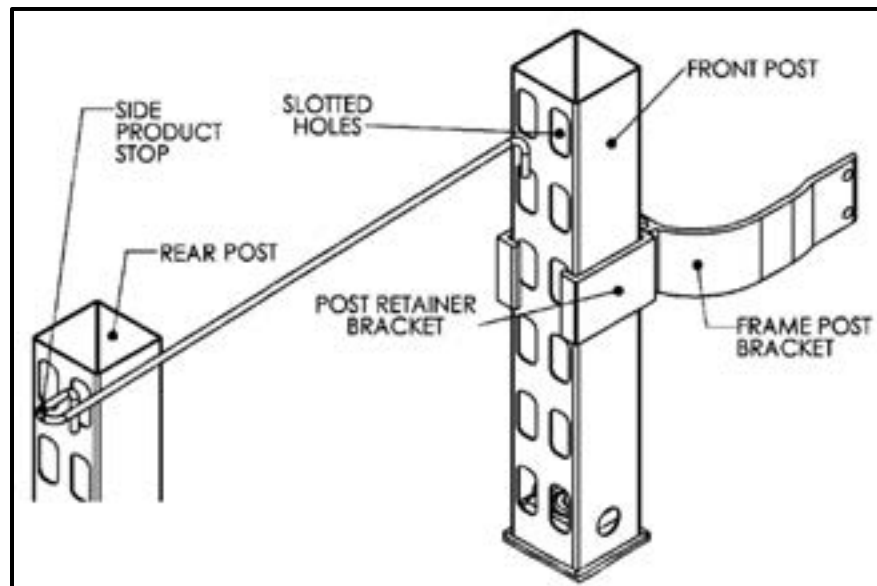
Note: Shelf weight limit of 200 lbs. (90.7 KG).

Note: Individual Post Weight Limit 1050 lbs. (476 KG). Posts must have intermediate supports (post locators) installed. Shelf heights are to be located for merchandising and load dispersion.

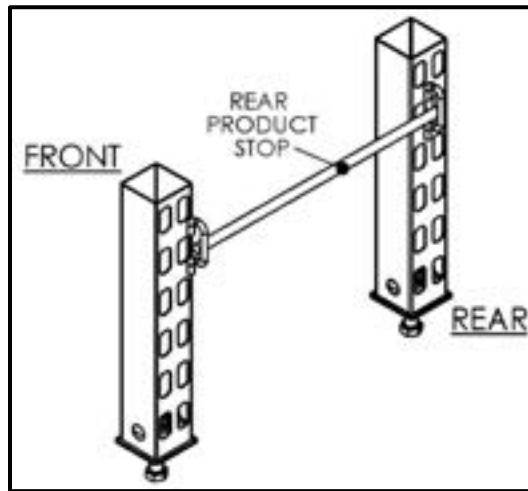
1. Angle/Tilt the shelf left to right, enough for the front and rear prongs to clear the post. Allow the shelf to be placed level at the desired height. Insert the front and rear shelf hooks into the post slots simultaneously.



2. Install the side product stops (as required). Insert the right angle ends of the product stops into the front and rear post slots.



3. Install rear product stops (as required) after stocking shelves. Insert rear-product stop ends into rear post slots at desired height.

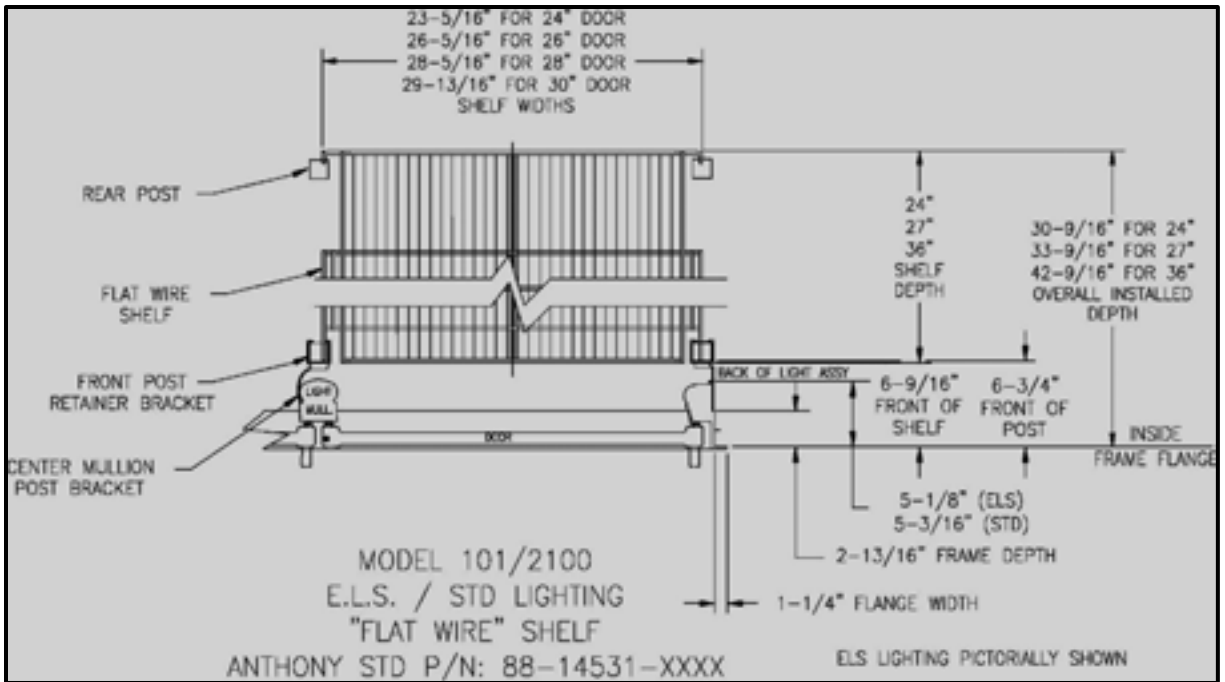


12.3. Shelf Sizes Catalog

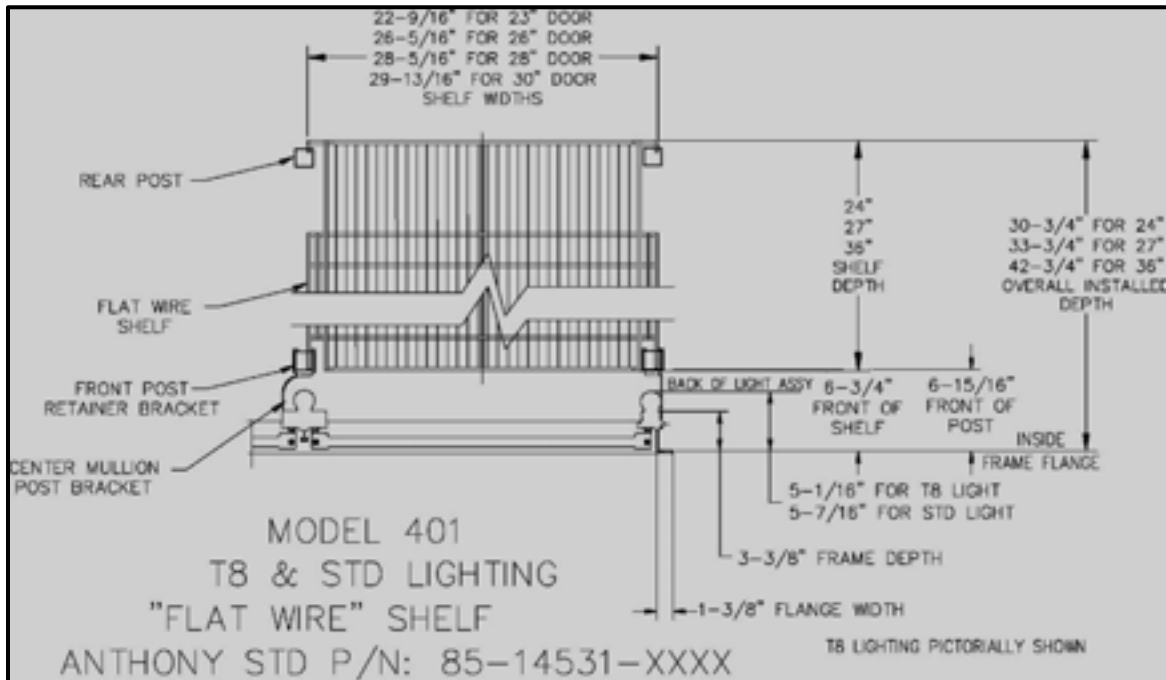
Model	Standard Catalog Door Size	Actual Shelf Size
Model 401		
	23"	22-9/16" x 23"
	26-3/4"	26-5/16" x 26"
	28-3/4"	28-5/16" x 28"
	30-1/4"	29-13/16" x 30"
Model 101/2100		
	24"	23-5/16" x 24"
	26"	26-5/16" x 26"
	28"	28-5/16" x 28"
	30"	29-13/16" x 30"
Model 1001		
	23"	22-9/16" x 23"
	26-3/4"	26-5/16" x 26"
	28-3/4"	28-5/16" x 28"
	30-1/4"	29-13/16" x 30"

12.4. Shelf Dimensions

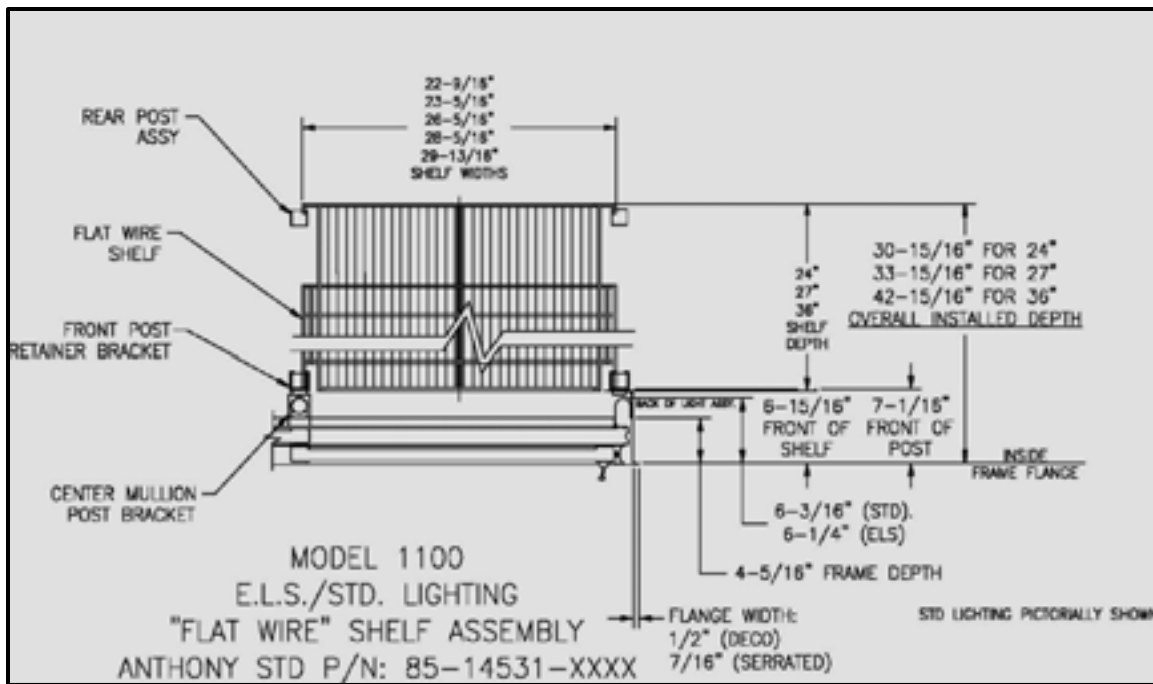
1. Measure shelf from large diameter wire, left to right and front to back. Do not measure from prongs.
2. Shelf Tag Moulding is measured from left to right.
3. Indicate color, when ordering replacement tag.



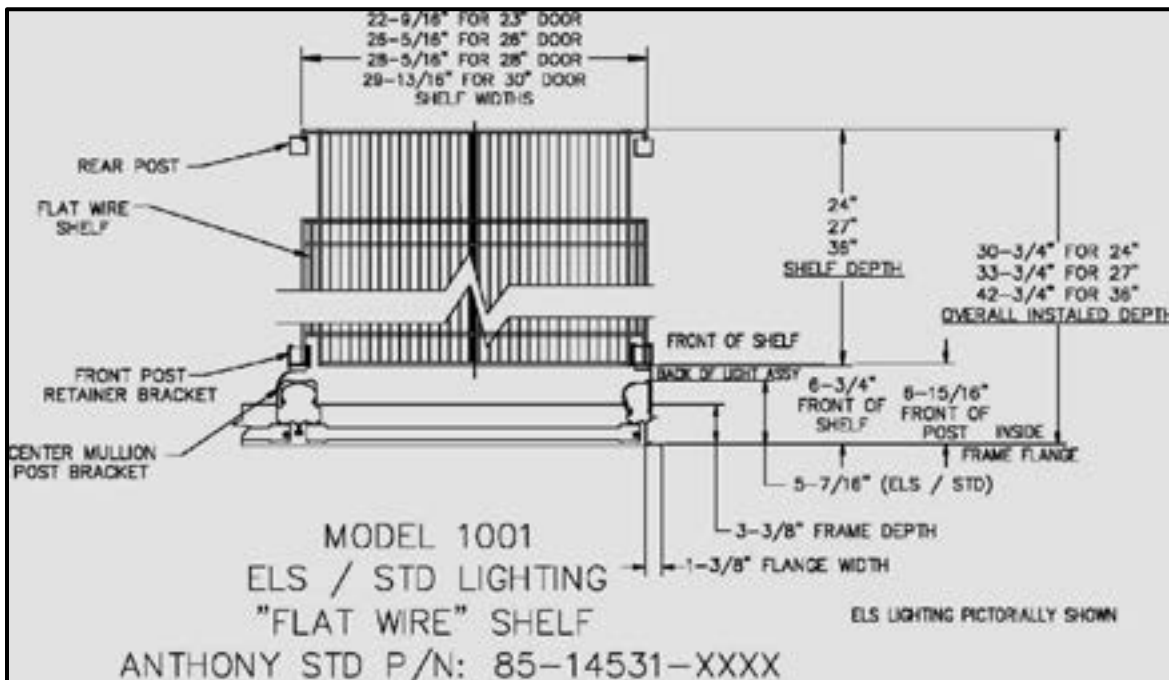
Model 101/2100



Model 401



Model 1100



Model 1001

13. Revision History Page

REV	ORIGINATOR	DESCRIPTION OF CHANGE	EFFECTIVE DATE
A		Initial Release	1995
B	SWatstein		05/05/2011
C	S. Fisher	Reformat from PDF to Word	04/08/2013